



TABLE OF CONTENTS

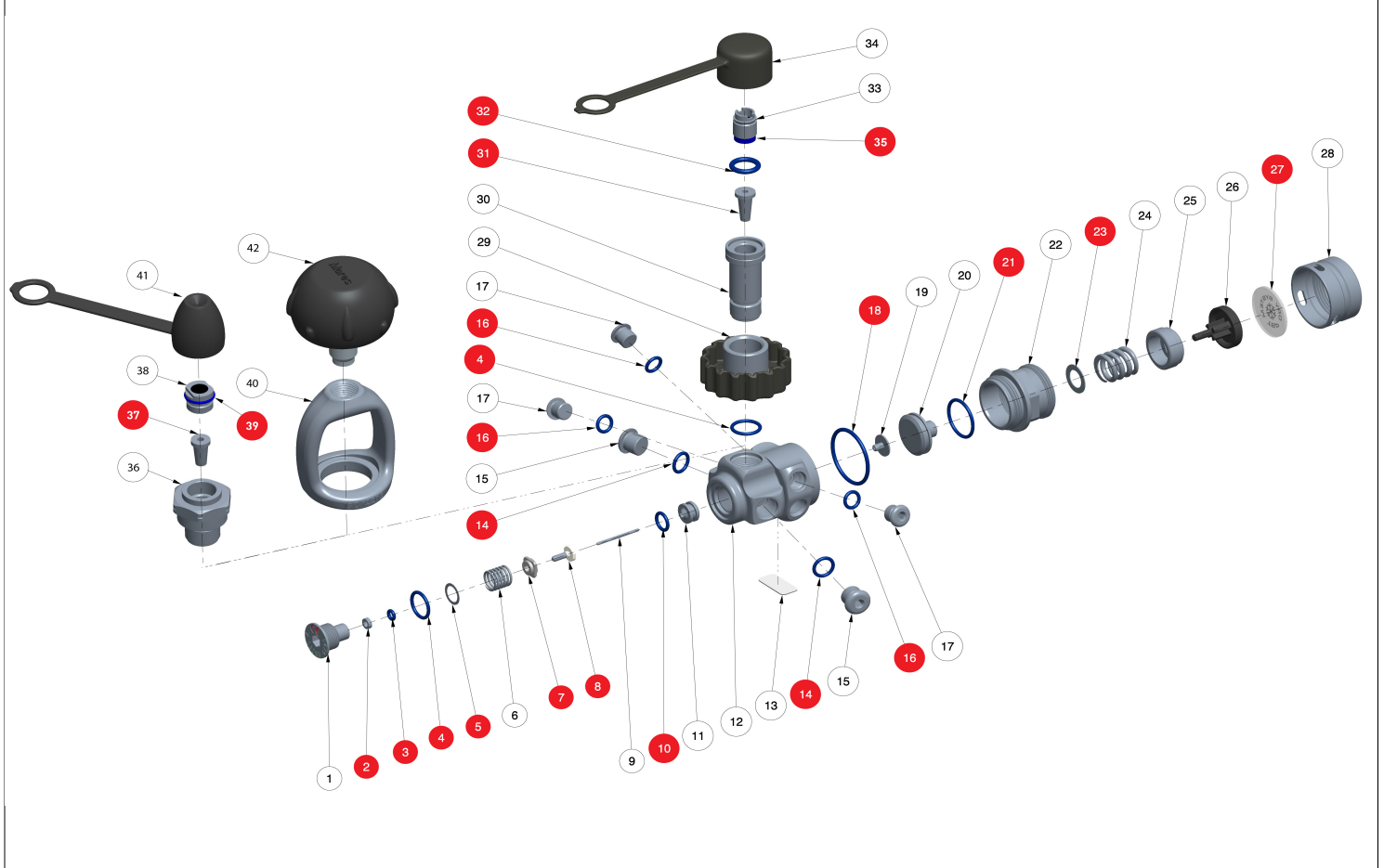
2022

THIS SPARE PART LIST REPLACES ALL PREVIOUS EDITION

vers. 01

REGULATORS

| | |
|---|-------------------------|
| First Stage 62X TBP..... | PAG.3 |
| First Stage 62X..... | PAG.4 |
| First Stage 82X..... | PAG.5 |
| First Stage 72X..... | PAG.6 |
| First Stage 22 NAVY II..... | PAG.7 |
| First Stage 15X..... | PAG.8 |
| First Stage 2S..... | PAG.9 |
| Second Stage ATLAS ADJ | PAG.10 |
| Second Stage EPIC ADJ | PAG.11 |
| Second Stage DUAL ADJ - OCTOPUS DUAL ADJ..... | PAG.12 |
| Second Stage ULTRA ADJ - OCTOPUS ULTRA ADJ..... | PAG.13 |
| Second Stage ULTRA - OCTOPUS ULTRA..... | PAG.14 |
| Second Stage DUAL - OCTOPUS DUAL..... | PAG.15 |
| Second Stage Fusion - OCTOPUS FUSION..... | PAG.16 |
| Second Stage SXS - OCTOPUS SXS..... | PAG.17 |
| Second Stage LOOP - OCTOPUS LOOP..... | PAG.18 |
| Second Stage NAVY II - OCTOPUS ABYSS NAVY II..... | PAG.19 |
| Second Stage - OCTOPUS ROVER - ROVER NX..... | PAG.20 |
| AIR CONTROL..... | PAG.21 |
| ACCESSORIES 1 | PAG. 46 |



| REF | CODE | DESCRIPTION | € |
|-----|----------|---------------------------------|---|
| 1 | 46202045 | HP CHAMBER PLUG 50N | |
| 2 | 46110506 | BACKUP RING PK | |
| 3 | 46110101 | OR 2012 | |
| 4 | 46110211 | OR 2050 | |
| 5 | 46202048 | HP CHAMBER WASHER 50N | |
| 6 | 46202047 | HP SPRING FIRST STAGE - 50N | |
| 7 | A | POPPET BASE PLATE | |
| 8 | A | TRIMATERIAL POPPET | |
| 9 | 46201303 | PIN 26,5 | |
| 10 | 46110107 | OR 2031 | |
| 11 | 46201541 | HP SEAT "MR" | |
| 12 | --- | 1ST STAGE BODY 62X | |
| 13 | 46202145 | LABEL 62X | |
| 14 | 46110108 | OR 108 | |
| 15 | 46185205 | HP PLUG 7/16" | |
| 16 | 46110106 | OR 106 | |
| 17 | 46185204 | LP PLUG 3/8" | |
| 18 | 46201715 | OR 28X2 | |
| 19 | 46202088 | FIRST STAGE VALVE BUTTON 4mm | |
| 20 | 46201691 | LOWER PISTON | |
| 21 | 46110243 | OR 2075 | |
| 22 | 46202120 | TBP BODY | |
| 23 | 46201725 | TBP WASHER SPRING | |
| 24 | 46201285 | TBP SPRING | |
| 25 | 46201120 | REGULATION NUT | |
| 26 | 46202002 | UPPER PISTON PPS | |
| 27 | 46202050 | DIAPHRAGM TBP | |
| 28 | 46202123 | SEALING RING TBP | |
| 29 | 46200546 | THREADED LOCKING RING (300 Bar) | |
| 30 | 46201102 | BODY, DIN CONNECTOR 300 BAR | |

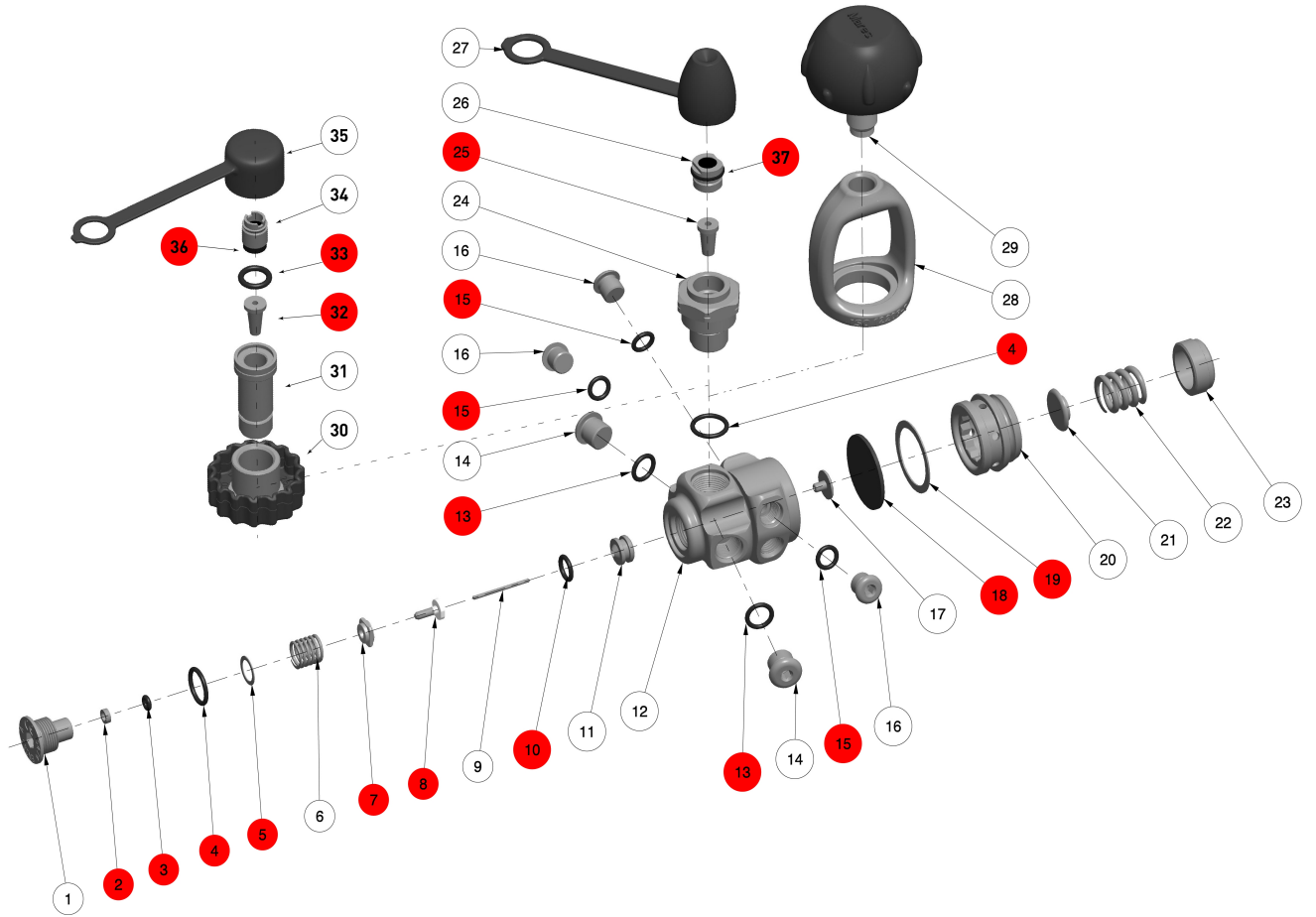
| REF | CODE | DESCRIPTION | € |
|-----|----------|------------------------|---|
| 31 | 46200561 | CONICAL FILTER, DIN | |
| 32 | 46110247 | OR 3043 | |
| 33 | 416812 | AST DIN + GASKET | |
| 34 | 46200562 | DIN CONNECTOR DUST CAP | |
| 35 | 46201581 | AST GASKET DIN | |
| 36 | 46201493 | NUT YOKE RETAINER | |
| 37 | 46201536 | AST INT FILTER | |
| 38 | 46201507 | AST INT | |
| 39 | 46201736 | AST GASKET INT | |
| 40 | 46202105 | YOKE K11 | |
| 41 | 46185010 | DUST CAP INT | |
| 42 | 46184079 | YOKE KNOB | |

| ASSEMBLIES | | | |
|------------|----------|---|--|
| A | 46201816 | TRIMATERIAL POPPET 2K22 50N CPL | |
| | 46201813 | Service Kit first stage 62X TBP INT/DIN | |
| | 416809 | DIN CONNECTOR 200/300 BAR NO AST | |
| | 416817 | DIN CONNECTOR 200/300 BAR WITH AST | |
| | 46201758 | HP CHAMBER CPL 50N (1+2+3+4) | |

| NITROX VERSION | | | |
|----------------|----------|--|--|
| N | 46201743 | NITROX CONNECTOR 200 BAR AST (EN13949) | |

NOTE

Parts highlighted in red are included in the service kits **46201813**



| REF | CODE | DESCRIPTION | € |
|-----|----------|------------------------------|---|
| 1 | 46202045 | HP CHAMBER PLUG 50N | |
| 2 | 46110506 | BACKUP RING PK | |
| 3 | 46110101 | OR 2012 | |
| 4 | 46110211 | OR 2050 | |
| 5 | 46202048 | HP CHAMBER WASHER 50N | |
| 6 | 46202047 | HP SPRING FIRST STAGE - 50N | |
| 7 | A | POPPET BASE PLATE | |
| 8 | A | TRIMATERIAL POPPET | |
| 9 | 46201303 | PIN 26,5 | |
| 10 | 46110107 | OR 2031 | |
| 11 | 46201541 | HP SEAT "MR" | |
| 12 | | 1ST STAGE BODY 62X | |
| 13 | 46110108 | OR 108 | |
| 14 | 46185205 | HP PLUG 7/16" | |
| 15 | 46110106 | OR 106 | |
| 16 | 46185204 | LP PLUG 3/8" | |
| 17 | 46202088 | FIRST STAGE VALVE BUTTON 4mm | |
| 18 | 46201667 | DIAPHRAGM | |
| 19 | 46200581 | ANTI-FRICTION RING | |
| 20 | 46202008 | RETAINING NUT | |
| 21 | 46200582 | PLATE SPRING BASE | |
| 22 | 46201285 | SPRING | |
| 23 | 46201120 | REGULATING NUT | |
| 24 | 46201493 | NUT YOKE RETAINER | |
| 25 | 46201536 | AST INT FILTER | |
| 26 | 46201507 | AST INT | |
| | | | |
| | | | |
| | | | |
| | | | |
| | | | |

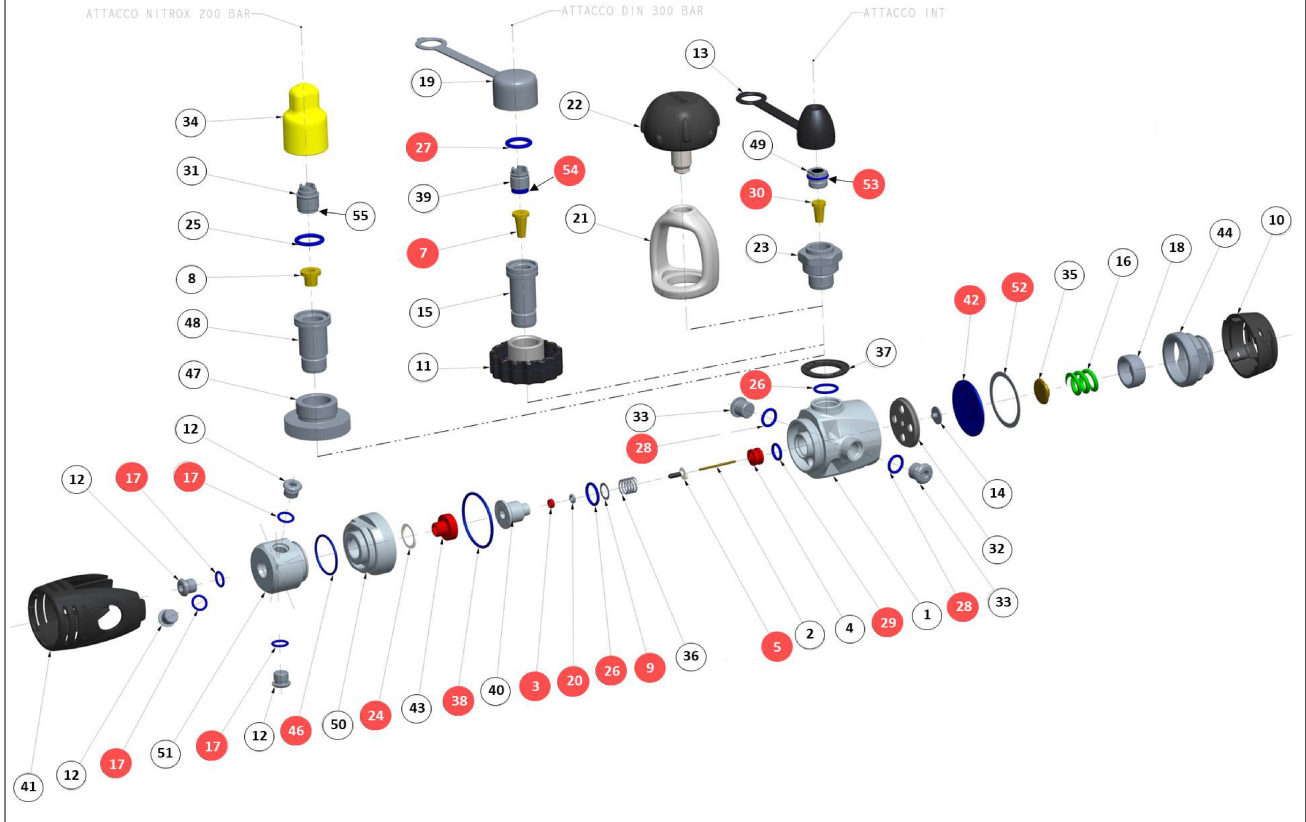
| REF | CODE | DESCRIPTION | € |
|-----|----------|---------------------------------|---|
| 27 | 46185010 | DUST CAP INT | |
| 28 | 46201333 | YOKE K11 | |
| 29 | 46184079 | YOKE KNOB | |
| 30 | 46200546 | THREADED LOCKING RING (300 Bar) | |
| 31 | 46201102 | BODY, DIN CONNECTOR 300 BAR | |
| 32 | 46200561 | CONICAL FILTER, DIN | |
| 33 | 46110247 | OR 3043 | |
| 34 | 416812 | AST DIN + GASKET | |
| 35 | 46200562 | DIN CONNECTOR DUST CAP | |
| 36 | 46201581 | AST GASKET DIN | |
| 37 | 46201736 | AST GASKET INT | |

| ASSEMBLIES | | | |
|------------|----------|---|--|
| A* | 46201784 | TRIMATERIAL POPPET 50N CPL | |
| A | 46201816 | POPPET TRIMAT. 2k22 CPL | |
| | 46201792 | Service Kit first stage 62X INT/DIN | |
| | 46201836 | Service Kit first stage 62X 2K22 | |
| | 416813 | TWIN BALANCED PISTON DRY KIT 52X-15X-25XR | |
| | 416809 | DIN CONNECTOR 200/300 BAR NO AST | |
| | 416817 | DIN CONNECTOR 200/300 BAR WITH AST | |
| | 46201758 | HP CHAMBER CPL 50N (1+2+3+4) | |

| NITROX VERSION | | | |
|----------------|----------|--|--|
| N | 46201743 | NITROX CONNECTOR 200 BAR AST (EN13949) | |

NOTE

Parts highlighted in red are included in the service kits **46201792** or **46201835**
Please refer to technical specification to the TB 42 NEW TRIMATERIAL POPPET
***(A) TILL STOCK ENDS - IT WILL BE REPLACED BY 46201816**



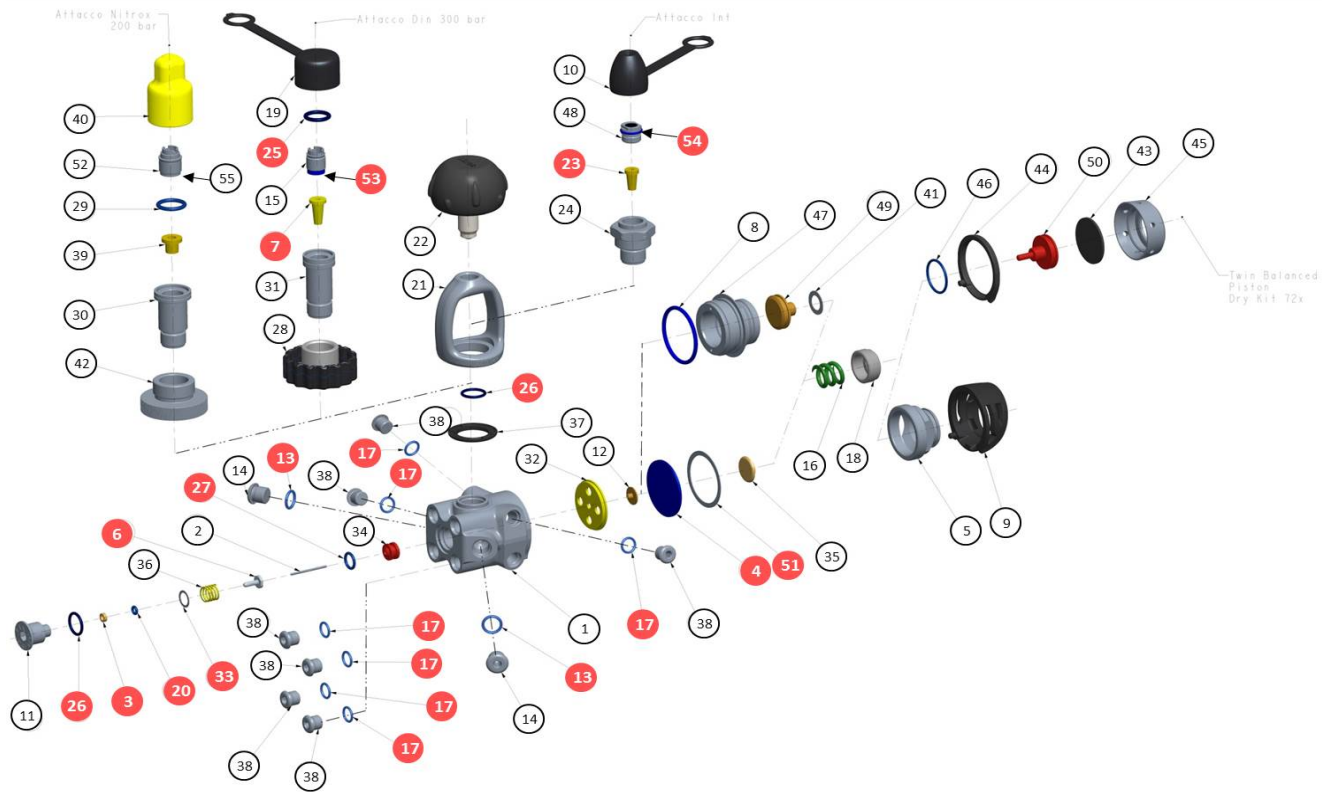
| REF | CODE | DESCRIPTION | € | REF | CODE | DESCRIPTION | € |
|------|------------|---------------------------------|---|------|----------|--|---|
| 1 | F | FIRST STAGE BODY | | 40.A | 46201275 | HP CHAMBER PLUG 30N | |
| 2 | 46201303 | PIN POPPET 26,5 | | 40.B | 46202045 | HP CHAMBER PLUG 50N | |
| 3 | 46110506 | BACKUP RING PK | | 41 | 46201548 | SHELL 82X | |
| 4 | 46201541 | HP SEAT "MR" | | 42 | 46201429 | DIAPHRAGM | |
| 5.A | 46201575 | TRIMATERIAL POPPET 2K18 CPL | | 43 | 46201423 | INSERT | |
| 5.B | 46201784 | TRIMATERIAL POPPET 50N CPL | | 44 | 46201522 | RETAINING NUT | |
| 7 | 46200561 | CONICAL FILTER, DIN | | 46 | 46201426 | OR 25 X 1.5 | |
| 8 | 46186202 | CONICAL FILTER INT | | 47 | N | NITROX LOCKING RING 200 Bar (EN13949) | |
| 9.A | 46201291 | HP CHAMBER WASHER 30N | | 48 | N | BODY, NITROX CONNECTOR 200 BAR (EN13949) | |
| 9.B | 46202048 | HP CHAMBER WASHER 50N | | 49 | 46201507 | AST INT | |
| 10 | 46202001 | CUP 82X | | 50 | 46201433 | RETAINING RING | |
| 11 | 46200546 | THREADED LOCKING RING (300 Bar) | | 50 | 46201609 | RETAINING RING PVD | |
| 12 | 46185204 | LP PLUG 3/8" | | 51 | 46201521 | SWIVEL TURRET | |
| 13 | 46185010 | DUST CAP INT | | 51 | 46201608 | SWIVEL TURRET PVD | |
| 14 | 46200545** | FIRST STAGE VALVE BUTTON | | 52 | 46201421 | ANTI-ROTATION RING | |
| 15 | 46201102 | BODY, DIN CONNECTOR 300 BAR | | 53 | 46201736 | OR 10,0 X 1,3 AST INT | |
| 16 | 46201285 | SPRING DIAPHRAGM | | 54 | 46201581 | AST GASKET DIN | |
| 17 | 46110106 | OR 106 | | 55 | 46201737 | AST GASKET NX | |
| 18 | 46201120 | REGULATING NUT | | | | | |
| 19 | 46200562 | DIN CONNECTOR DUST CAP | | | | | |
| 20 | 46110101 | OR 2012 | | | | | |
| 21 | 46201333 | YOKE K11 | | | | | |
| 21 | 46201591 | YOKE PVD | | | | | |
| 22 | 46184079 | YOKE KNOB | | | | | |
| 23 | 46201493 | NUT YOKE RETAINER | | | | | |
| 23 | 46201601 | NUT YOKE RETAINER PVD | | | | | |
| 24 | 46201424 | ROTATING TURRET WASHER | | | | | |
| 25 | 46110227 | OR 3056 | | | | | |
| 26 | 46110211 | OR 2050 | | | | | |
| 27 | 46110247 | OR 3043 | | | | | |
| 28 | 46110108 | OR 108 | | | | | |
| 29 | 46110107 | OR 2031 | | | | | |
| 30 | 46201536 | AST INT FILTER | | | | | |
| 31 | 46201422 | AST NX + GASKET | | | | | |
| 32 | 46201427 | METAL DISC | | | | | |
| 33 | 46185205 | HP PLUG 7/16" | | | | | |
| 34 | 46200658 | YELLOW DUST CAP, NITROX | | | | | |
| 35 | 46200582 | PLATE SPRING BASE | | | | | |
| 36.A | 46201284 | HP SPRING FIRST STAGE - 30N | | | | | |
| 36.B | 46202047 | HP SPRING FIRST STAGE - 50N | | | | | |
| 37 | 46201135 | YOKE SPACER FIRST STAGE | | | | | |
| 38 | 46201578 | OR ORM 35X2 | | | | | |
| 39 | 416812 | AST DIN + GASKET | | | | | |

| ASSEMBLIES | | | |
|------------|----------|---|--|
| | 416860 | TWIN BALANCED PISTON DRY KIT 82X | |
| | 416859 | KIT CWD OIL-FIRST STAGE 82X | |
| | 46185340 | CWD OIL | |
| F | 416248 | FIRST STAGE 82X ASSEMBLY (INT-DIN) | |
| | 46201739 | SERVICE KIT FIRST STAGE 82X INT/DIN | |
| | 46201787 | SERVICE KIT FIRST STAGE 82X-50N | |
| | 46201791 | KIT UPGRADE FIRST STAGE 50N (5B-9B-36B-40B) | |
| | 416809 | DIN CONNECTOR 200/300 BAR NO AST | |
| | 416817 | DIN CONNECTOR 200/300 BAR WITH AST | |
| | 46201362 | HP CHAMBER CPL 30N (3+20+26+40A) | |
| | 46201758 | HP CHAMBER CPL 50N ((3+20+26+40B) | |

| NITROX VERSION | | | |
|----------------|----------|--|--|
| N | 46201743 | NITROX CONNECTOR 200 BAR AST (EN13949) | |

NOTE
Parts highlighted in red are included in the service kits **46201739 / 46201787**

The codes **46201784** (Ref.5.B), **46202048** (Ref.9.B), **46202047** (Ref.36.B) and the code **46202045** (Ref.40B) must be assembled together and need to be serviced with the: **46201787** Service kit First stage 82X 50N.
Please refer to technical specification to the **TB 38 SPRING 50N**
**** (14) TILL STOCK ENDS - IT WILL BE REPLACED BY 46202088**
Please refer to technical specification to the TB 42 NEW TRIMATERIAL POPPET
*** (1A) TILL STOCK ENDS - IT WILL BE REPLACED BY 46201816**



| REF | CODE | DESCRIPTION | € |
|------|------------|--|---|
| 1 | F | FIRST STAGE BODY | |
| 2 | 46201303 | PIN POPPET 26,5 | |
| 3 | 46110506 | BACKUP RING PK | |
| 4 | 46201429 | DIAPHRAGM | |
| 5 | 46201522 | RETAINING NUT | |
| 6.A | 46201575 | TRIMATERIAL POPPET 2K18 CPL | |
| 6.B | 46201784 | TRIMATERIAL POPPET 50N | |
| 7 | 46200561 | CONICAL FILTER, DIN | |
| 8 | 46201716 | OR 34X2,5 | |
| 9 | 46201687 | CUP 72X | |
| 10 | 46185010 | OR 108 | |
| 11.A | 46201275 | HP CHAMBER 30N | |
| 11.B | 46202045 | HP CHAMBER 50N | |
| 12 | 46200545** | FIRST STAGE VALVE BUTTON | |
| 13 | 46110108 | OR 108 | |
| 14 | 46185205 | HP PLUG 7/16" | |
| 15 | 416812 | AST DIN + GASKET | |
| 16 | 46201285 | SPRING DIAPHRAGM | |
| 17 | 46110106 | OR 106 | |
| 18 | 46201120 | REGULATING NUT | |
| 19 | 46200562 | DIN CONNECTOR DUST CAP | |
| 20 | 46110101 | OR 2012 | |
| 21 | 46201333 | YOKE K11 | |
| 22 | 46184079 | YOKE KNOB | |
| 23 | 46201536 | AST INT FILTER | |
| 24 | 46201493 | NUT YOKE RETAINER | |
| 25 | 46110247 | OR 3043 | |
| 26 | 46110211 | OR 2050 | |
| 27 | 46110107 | OR 2031 | |
| 28 | 46200546 | THREADED LOCKING RING (300 Bar) | |
| 29 | 46110227 | OR 3056 | |
| 30 | N | BODY, NITROX CONNECTOR 200 BAR (EN13949) | |
| 31 | 46201102 | BODY, DIN CONNECTOR 300 BAR | |
| 32 | 46201427 | METAL DISC | |
| 33.A | 46201291 | HP CHAMBER WASHER 30N | |
| 33.B | 46202048 | HP CHAMBER WASHER 50N | |
| 34 | 46201541 | HP SEAT "MR" | |
| 35 | 46200582 | PLATE SPRING BASE | |
| 36.A | 46201284 | HP SPRING FIRST STAGE - 30N | |
| 36.B | 46202047 | HP SPRING FIRST STAGE - 50N | |

| REF | CODE | DESCRIPTION | € |
|-----|----------|---------------------------------------|---|
| 37 | 46201135 | YOKE SPACER FIRST STAGE | |
| 38 | 46185204 | LP PLUG 3/8" | |
| 39 | 46186202 | CONICAL FILTER INT | |
| 40 | 46200658 | YELLOW DUST CAP, NITROX | |
| 41 | 46201725 | TBP WASHER | |
| 42 | N | NITROX LOCKING RING 200 Bar (EN13949) | |
| 43 | 46201711 | TBP DIAPHRAGM | |
| 44 | 46201709 | TBP GASKET | |
| 45 | C | TBP RETAINING NUT | |
| 46 | 46110243 | OR 2075 | |
| 47 | C | TBP BODY | |
| 48 | 46201507 | AST INT | |
| 49 | C | LOWER PISTON | |
| 50 | C | UPPER PISTON | |
| 51 | 46201421 | ANTI-ROTATION RING | |
| 52 | 46201422 | AST NX + GASKET | |
| 53 | 46201581 | AST GASKET DIN | |
| 54 | 46201736 | OR 10,0 X 1,3 AST INT | |
| 55 | 46201737 | AST GASKET NX | |

| ASSEMBLIES | | | |
|------------|----------|---|--|
| C | 416815** | TWIN BALANCED PISTON DRY KIT 72X | |
| F | 416256 | FIRST STAGE 72X ASSEMBLY (INT-DIN) | |
| --- | 46201780 | SERVICE KIT FIRST STAGE 72X AST INT/DIN | |
| | 46201789 | SERVICE KIT FIRST STAGE 72X-AST-50N | |
| | 46201791 | KIT UPGRADE FIRST STAGE 50N | |
| | 416809 | DIN CONNECTOR 200/300 BAR NO AST | |
| | 416817 | DIN CONNECTOR 200/300 BAR WITH AST | |
| | 46201362 | HP CHAMBER CPL 30N (3+20+26+40A) | |
| | 46201758 | HP CHAMBER CPL 50N (1+2+3+4) | |

| NITROX VERSION | | | |
|----------------|----------|--|--|
| N | 46201743 | NITROX CONNECTOR 200 BAR AST (EN13949) | |

NOTE

Parts highlighted in red are included in the service kits **46201780 / 46201787**

The codes **46201784** (Ref.6.B), **46202045** (Ref 11.B), **46202048** (Ref 33.B) and the code **46202047** (Ref.36.B) must be assembled together and need to be serviced with the code **46201787** Service kit First stage 82X 50N.

Please refer to technical specification to the TB 38 SPRING 50N

**** (C) TILL STOCK ENDS - IT WILL BE REPLACED BY 416860**

**** (12) TILL STOCK ENDS - IT WILL BE REPLACED BY 46202088**

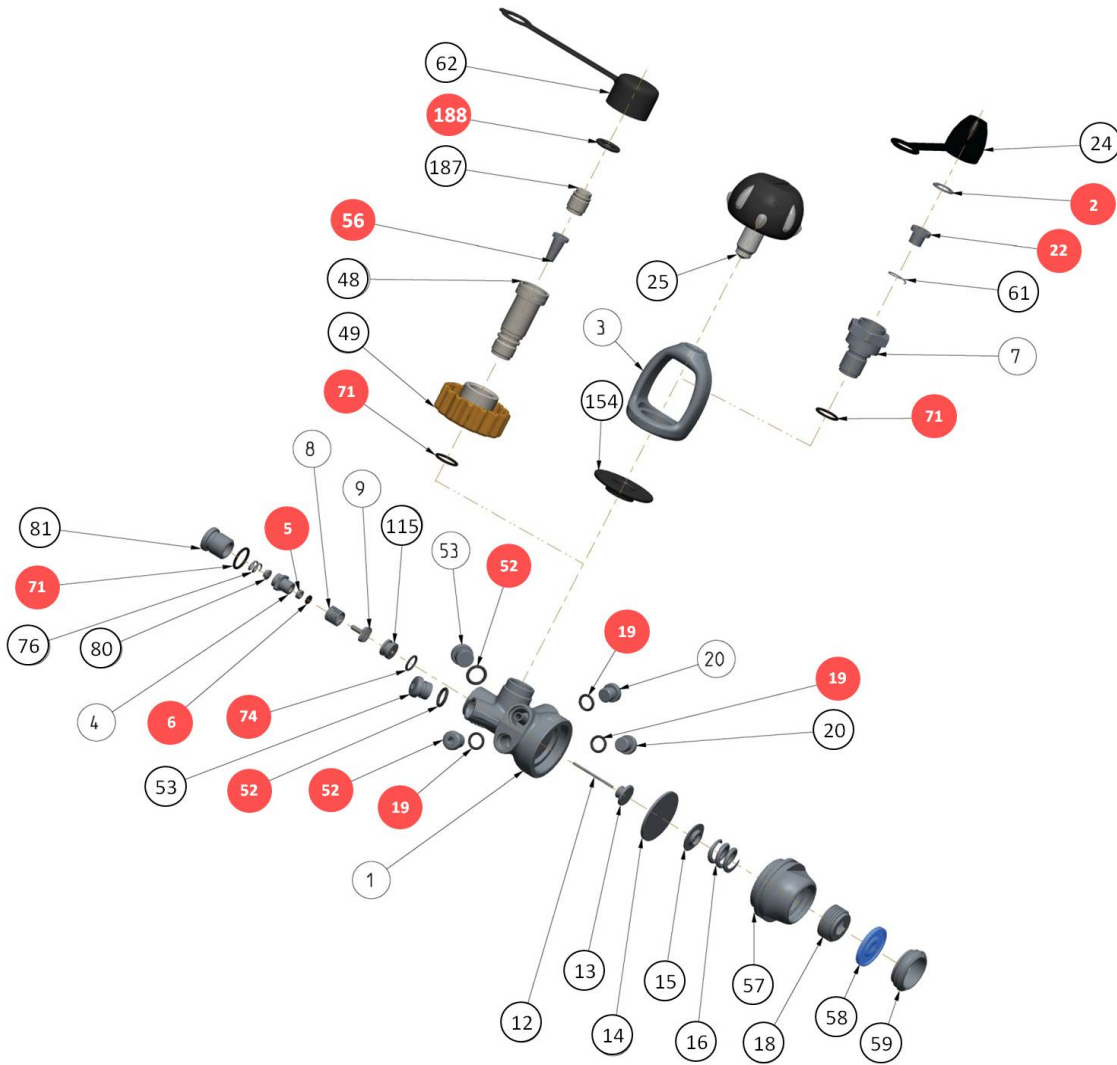


CHART NO : 39

FIRST STAGE 22 NAVY II

UPDATED: 27/12/2017

| REF | CODE | DESCRIPTION | € | REF | CODE | DESCRIPTION | € |
|-----|----------|------------------------------------|---|--------------------|----------|--------------------------------------|---|
| 1 | 46201083 | FIRST STAGE BODY | | 58 | 46185301 | DIAPHRAGM, CWD KIT | |
| 2 | 46185015 | RETAINING RING, FIRST STAGE FILTER | | 59 | I | CWD LOCKING RING | |
| 3 | 46201074 | YOKE | | 61 | 46185013 | SPRING, FILTER 1ST. STAGE | |
| 4 | D | HP CHAMBER | | 62 | 46200562 | DIN CONNECTOR DUST CAP | |
| 5 | 46110506 | BACKUP RING FIRST STAGE REGULATOR | | 71 | 46110211 | OR 2050 | |
| 6 | 46110101 | OR 2012 | | 74 | 46110107 | OR 2031 | |
| 7 | 46186205 | NUT YOKE RETAINER | | 76 | 46186210 | SPRING, HP HOUSING, FIRST STAGE | |
| 8 | 46185011 | SPRING | | 80 | 46186206 | HP HOUSING BUTTON FIRST STAGE | |
| 9 | 46200652 | FIRST STAGE TRI-MATERIAL POPPET | | 81 | 46186208 | PLUG | |
| 12 | 46186214 | PIN POPPET 32,5MM | | 115 | 46186216 | POPPET SEAT MR | |
| 13 | 46186213 | FIRST STAGE VALVE BUTTON | | 154 | 46200553 | YOKE CONNECTOR FIRST STAGE | |
| 14 | 46201111 | DIAPHRAGM,MR22 | | 187 | 46200547 | O-RING SEAT DIN | |
| 15 | 46200950 | PLATE SPRING BASE | | 188 | 46110247 | OR 3043 | |
| 16 | 46185023 | SPRING DIAPHRAGM | | | | | |
| 18 | 46185028 | REGULATING NUT | | ASSEMBLIES | | | |
| 19 | 46110106 | OR 106 | | | | | |
| 20 | 46185204 | LP PLUG 3/8" | | D | 46185210 | HP HOUSING ASSEMBLY, (4-5-6) | |
| 22 | 46186202 | FILTER | | I | 416851 | KIT CWD | |
| 24 | 46185010 | DUST CAP | | --- | 46200606 | 22 Navy II 1st Stage DIN SERVICE KIT | |
| 25 | 46184079 | YOKE KNOB | | --- | 46186152 | SERVICE KIT, FIRST STAGE INT/DIN | |
| 48 | N | BODY, DIN CONNECTOR 200 BAR NX | | | | (2-5-6-19-22-52-71-74) | |
| 49 | 46200546 | DIN 300 BAR THREADED LOCKING RING | | ACCESSORIES | | | |
| 52 | 46110108 | OR 108 | | --- | 46185340 | OIL X CWD | |
| 53 | 46185205 | HP PLUG 7/16" | | 98 | 46186207 | PLUG 1/2 UNF FIRST STAGE | |
| 56 | 46200561 | CONICAL FILTER, DIN | | 97 | 46110215 | OR 2043 | |
| 57 | I | CWD BODY | | | | | |

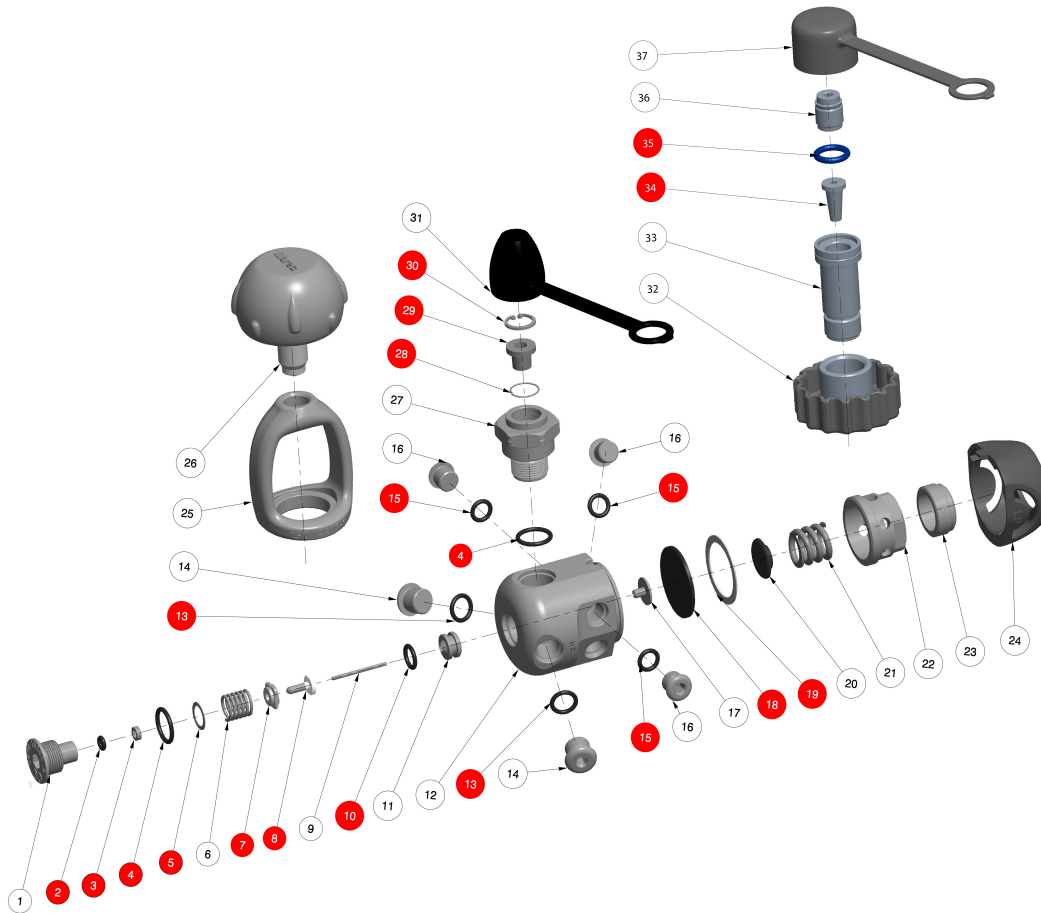


CHART NO : 42

FIRST STAGE 15X

UPDATED: 21/12/2018

| REF | CODE | DESCRIPTION | € | REF | CODE | DESCRIPTION | € |
|-----|------------|------------------------------------|---|---|----------|---|---|
| 1.A | 46201275 | HP CHAMBER PLUG 30N | | 35 | 46110247 | OR 3043 | |
| 1.B | 46202045 | HP CHAMBER PLUG 50N | | 36 | 46200547 | O-RING SEAT, DIN | |
| 2 | 46110506 | BACKUP RING PK | | 37 | 46200562 | DUST CAP DIN | |
| 3 | 46110101 | OR 2012 | | ASSEMBLIES | | | |
| 4 | 46110211 | OR 2050 | | | 416813 | TWIN BALANCED PISTON DRY KIT 52X-15X-25XR | |
| 5.A | 46201291 | WASHER, HP CHAMBER | | | 416857 | KIT CWD DRY (41-42-43-44-45) | |
| 5.B | 46202048 | HP CHAMBER WASHER 50N | | | 416809 | DIN CONNECTOR 200/300 BAR NO AST | |
| 6.A | 46201284 | SPRING, FIRST STAGE VALVE | | | 416817 | DIN CONNECTOR 200/300 BAR WITH AST | |
| 6.B | 46202047 | HP SPRING FIRST STAGE - 50N | | | 46201362 | HP CHAMBER CPL 30N | |
| 7 | P | POPPET BASE PLATE | | | 46201758 | HP CHAMBER CPL 50N | |
| 8 | P | TRIMATERIAL POPPET | | P.1 | 46201575 | TRIMATERIAL POPPET 2K18 CPL | |
| 9 | 46201303 | PIN 26,5 | | P.2 | 46201784 | TRIMATERIAL POPPET 50N CPL | |
| 10 | 46110107 | OR 2031 | | | 416237 | FIRST STAGE 15X ASSEMBLY (INT-DIN) | |
| 11 | 46201541 | HP SEAT "MR" | | | 46201580 | SERVICE KIT FIRST STAGE 52X/15X/25XR INT/DIN | |
| 12 | F | FIRST STAGE BODY | | | 46201791 | KIT UPGRADE FIRST STAGE 50N (1B-5B-6B-P2) | |
| 13 | 46110108 | OR 108 | | | 46201800 | Service Kit first stage 15X-50N (INT/DIN) | |
| 14 | 46185205 | HP PLUG 7/16", FIRST STAGE | | | 46201802 | Service Kit first stage 15X-AST-50N (INT/DIN) | |
| 15 | 46110106 | OR 106 | | NITROX VERSION | | | |
| 16 | 46185204 | LP PLUG 3/8", FIRST STAGE, REGS. | | N | 46201743 | NITROX CONNECTOR 200 BAR AST (EN13949) | |
| 17 | 46200545** | FIRST STAGE VALVE BUTTON | | --- | 46201444 | SERVICE KIT NX 1ST 52/22 (EN13949) - NBR ORINGS | |
| 18 | 46201667 | DIAPHRAGM | | NOTE | | | |
| 19 | 46200581 | ANTI-FRICTION RING | | Parts highlighted in red are included in the service kits 46201580 / 46201800 - 46201802 | | | |
| 20 | 46200582 | PLATE SPRING BASE, FIRST STAGE | | As far as the first stages made before X series (2015) are concerned, you can get the codes of the Viton service kits, Nitrox connector (Viton) and Service kit NX (Viton) in the previous Spare Part catalogues (2015 and before) or in the "Accessories 1" section of the present Spare Part Catalogue | | | |
| 21 | 46201285 | SPRING DIAPHRAGM FIRST STAGE | | ** (17) TILL STOCK ENDS - IT WILL BE REPLACED BY 46202088 | | | |
| 22 | 46201118 | LOCKING NUT | | The codes 46202045 (Ref.1.B), 46202048 (Ref.5.B), 46202047 (Ref.6.B) and the code 46201784 (Ref.P.2) must be assembled together and need to be serviced with the 46201800 Service kit First stage 15X-50N or 46201802 Service kit First stage 15X-AST-50N. Please refer to technical specification to the TB 38 BIS SPRING 50N | | | |
| 23 | 46201120 | REGULATING NUT, FIRST STAGE | | | | | |
| 24 | 46201302 | PROTECTION CAP 15X | | | | | |
| 25 | 46201074 | YOKE K11 | | | | | |
| 26 | 46184079 | YOKE KNOB | | | | | |
| 27 | 46201100 | NUT, YOKE RETAINER | | | | | |
| 28 | 46185013 | SPRING, FILTER FIRST STAGE | | | | | |
| 29 | 46186202 | CONICAL FILTER, INT | | | | | |
| 30 | 46185015 | RETAINING RING, FIRST STAGE FILTER | | | | | |
| 31 | 46185010 | DUST CAP INT | | | | | |
| 32 | 46200546 | DIN 300 BAR THREADED LOCKING RING | | | | | |
| 33 | 46201102 | BODY, DIN CONNECTOR 300 BAR | | | | | |
| 34 | 46200561 | CONICAL FILTER, DIN | | | | | |

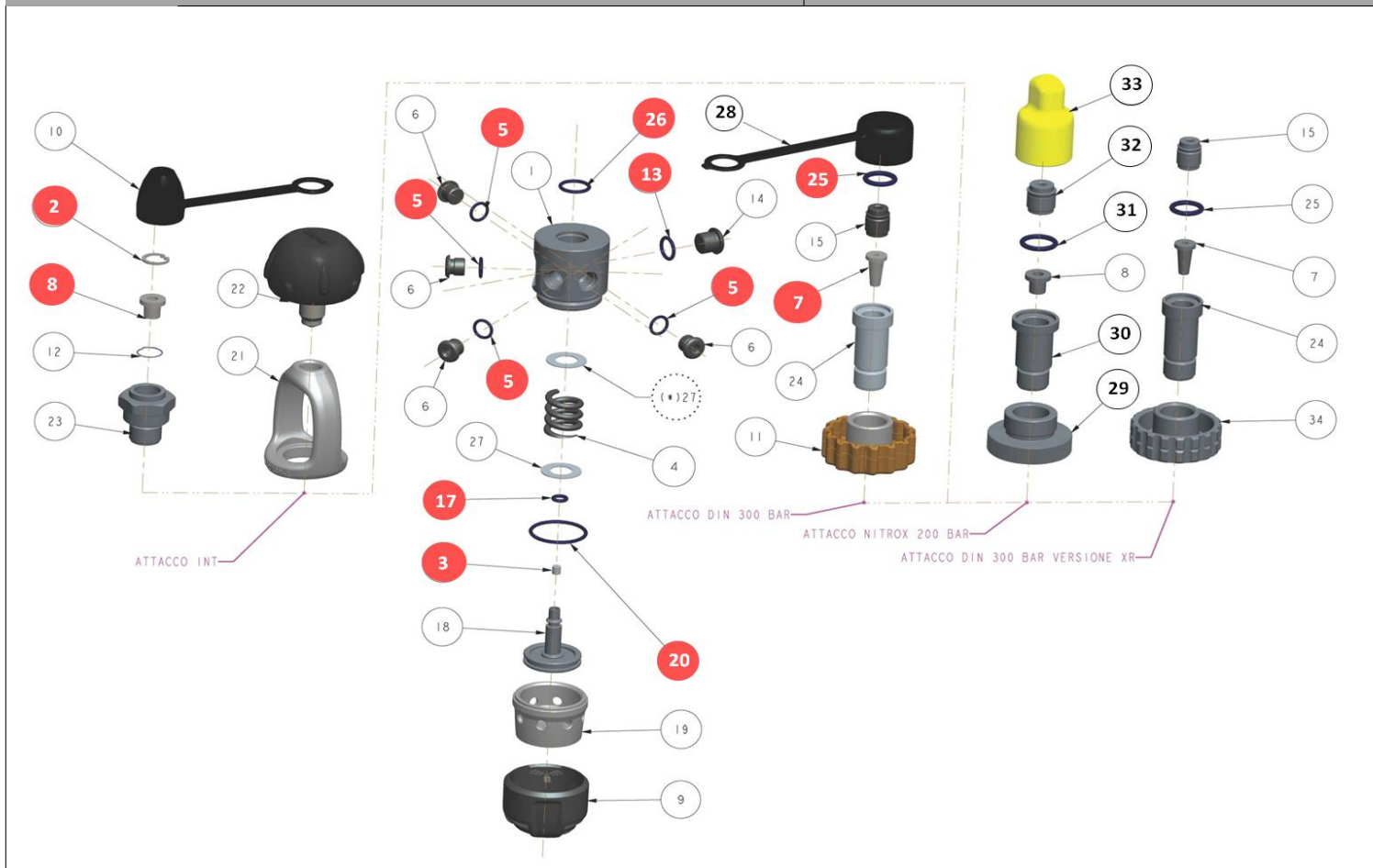
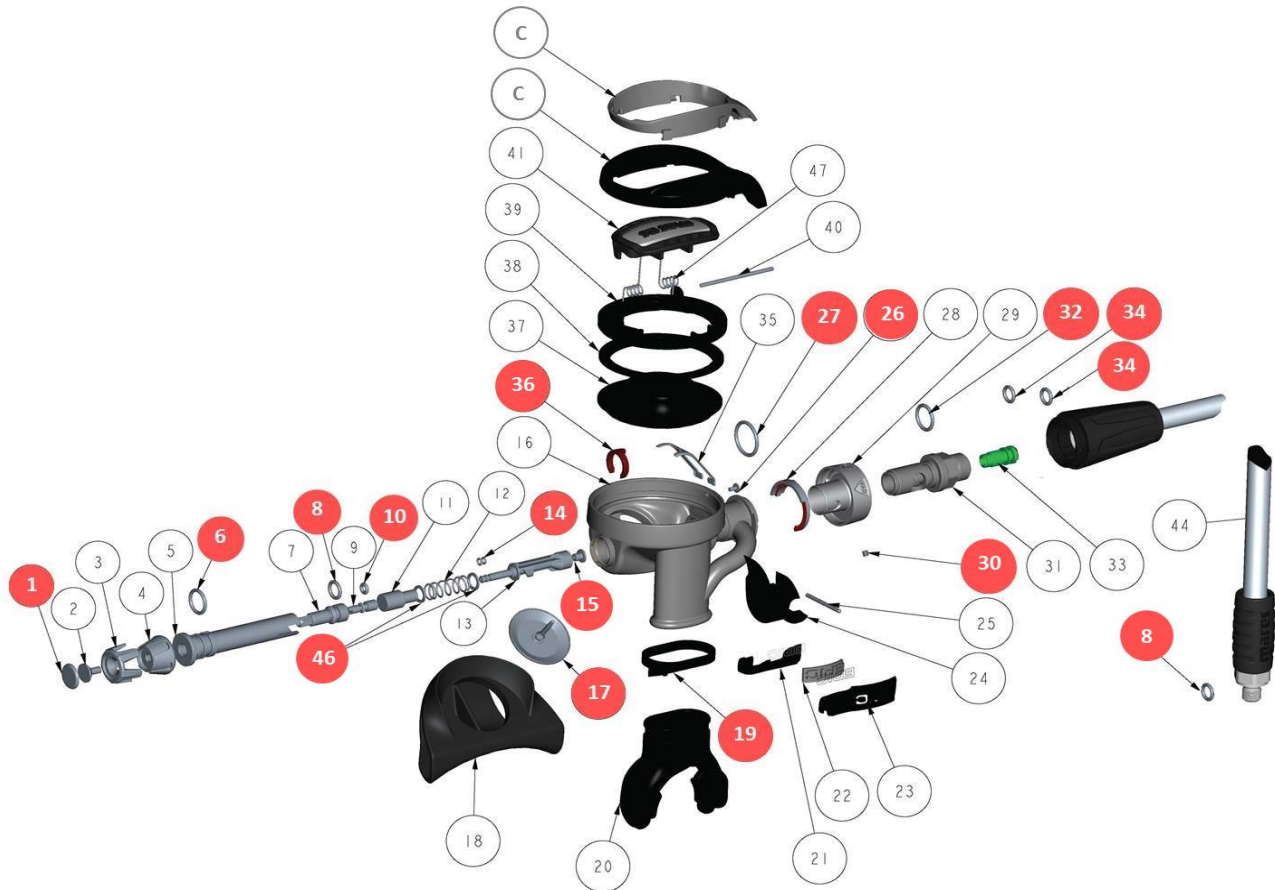


CHART NO : 38

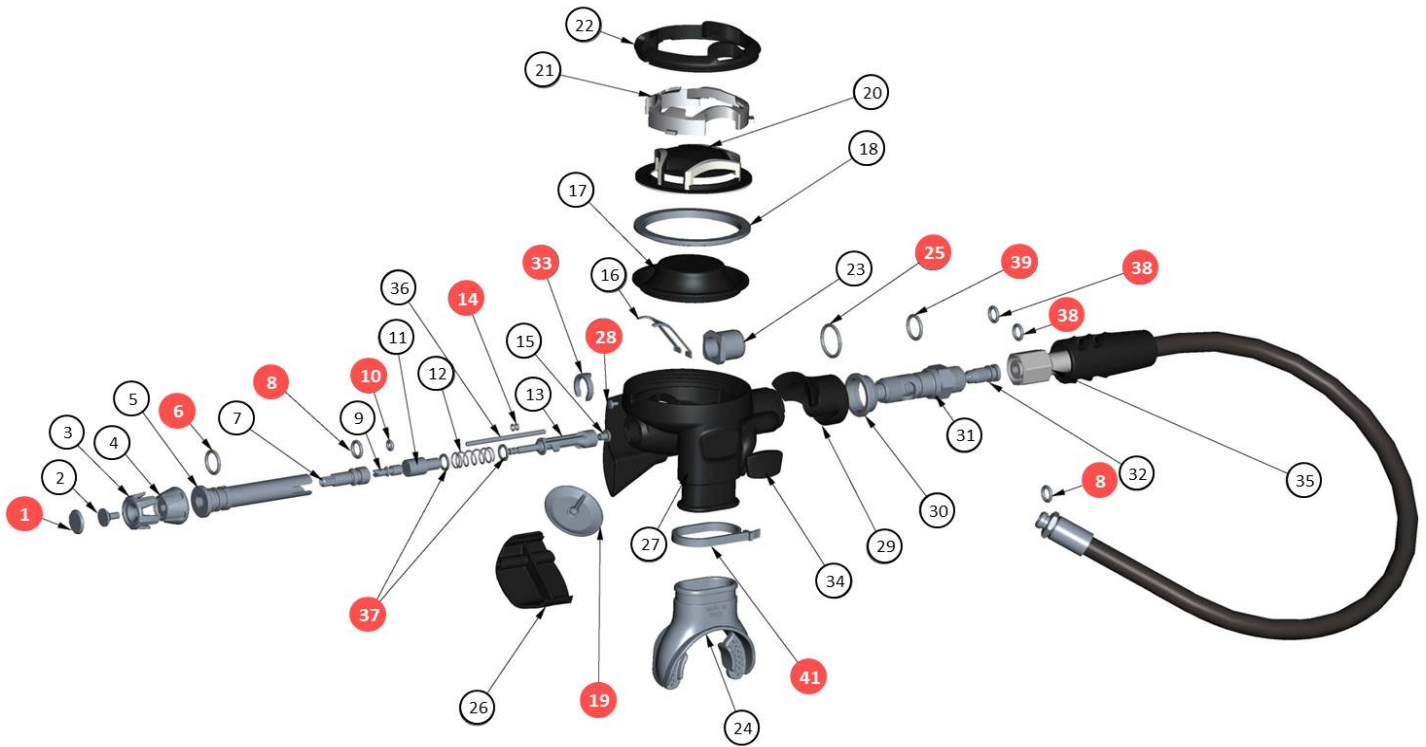
FIRST STAGE R2S

UPDATED: 10/01/2017

| Rif.N. | CODE | DESCRIPTION | € | Rif.N. | Code | DESCRIPTION | € |
|--------|----------|------------------------------------|---|--|----------|---|---|
| 1 | C | FIRST STAGE BODY | | 26 | 46110211 | OR 2050 | |
| 2 | 46185015 | RETAINING RING, FIRST STAGE FILTER | | 27 | 46186221 | PLASTIC RING, SPRING BASE | |
| 3 | 46201247 | PLASTIC SEAT, PISTON | | 28 | 46200562 | PROTECTION CAP DIN | |
| 4 | 46201756 | SPRING POPPET FIRST STAGE | | 29 | 46200592 | METAL THREADED LOCKING RING DIN NX 200 BAR | |
| 5 | 46110106 | OR 106 | | 30 | 46201239 | BODY DIN CONNECTOR 52 300 BAR | |
| 6 | 46185204 | LP PLUG 3/8", FIRST STAGE, REGS. | | 31 | 46110227 | OR 3056 | |
| 7 | 46200561 | CONICAL FILTER, DIN | | 32 | 46200593 | O-RING SEAT DIN NX | |
| 8 | 46186202 | CONICAL FILTER, INT | | 33 | 46200658 | YELLOW DUST CAP, NITROX | |
| 9 | 46201098 | COVER | | 34 | 46201030 | METAL THREADED LOCKING RING DIN 25 | |
| 10 | 46185010 | DUST CAP, INT | | ASSEMBLIES | | | |
| 11 | 46200546 | DIN 300 BAR THREADED LOCKING RING | | C | 416232 | FIRST STAGE R2S ASSEMBLY (INT-DIN) | |
| 12 | 46185013 | SPRING, FILTER 1ST | | F | 416809 | DIN CONNECTOR 200/300 BAR NO AST | |
| 13 | 46110108 | OR 108 | | G | 416817 | DIN CONNECTOR 200/300 BAR WITH AST | |
| 14 | 46185205 | HP PLUG 7/16", FIRST STAGE | | --- | 46201108 | SERVICE KIT FIRST STAGE R2S INT/DIN | |
| 15 | 46200547 | O-RING SEAT DIN | | NITROX VERSION | | | |
| 17 | 46110203 | OR 2018 | | N | 46201443 | NITROX CONNECTOR 200 BAR (EN13949) - NBR ORINGS | |
| 18 | 46201095 | PISTON FIRST STAGE | | --- | 46201444 | SERVICE KIT NX 1ST 52/22 (EN13949) - NBR ORINGS | |
| 19 | 46201097 | CAP FIRST STAGE | | NOTE | | | |
| 20 | 46110224 | OR 2100 | | Parts highlighted in red are included in the service kits 46201108 | | | |
| 21 | 46201074 | YOKE 2k9 | | As far as the first stages made before X series (2015) are concerned, you can get the codes of the Viton service kits, Nitrox connector (Viton) and Service kit NX (Viton) in the previous Spare Part catalogues (2015 and before) or in the "Accessories 1" section of the present Spare Part Catalogue | | | |
| 22 | 46184079 | YOKE KNOB | | | | | |
| 23 | 46201100 | NUT, YOKE RETAINER FIRST STAGE R2S | | | | | |
| 24 | 46201102 | BODY, DIN CONNECTOR 300 BAR | | | | | |
| 25 | 46110247 | OR 3043 | | | | | |

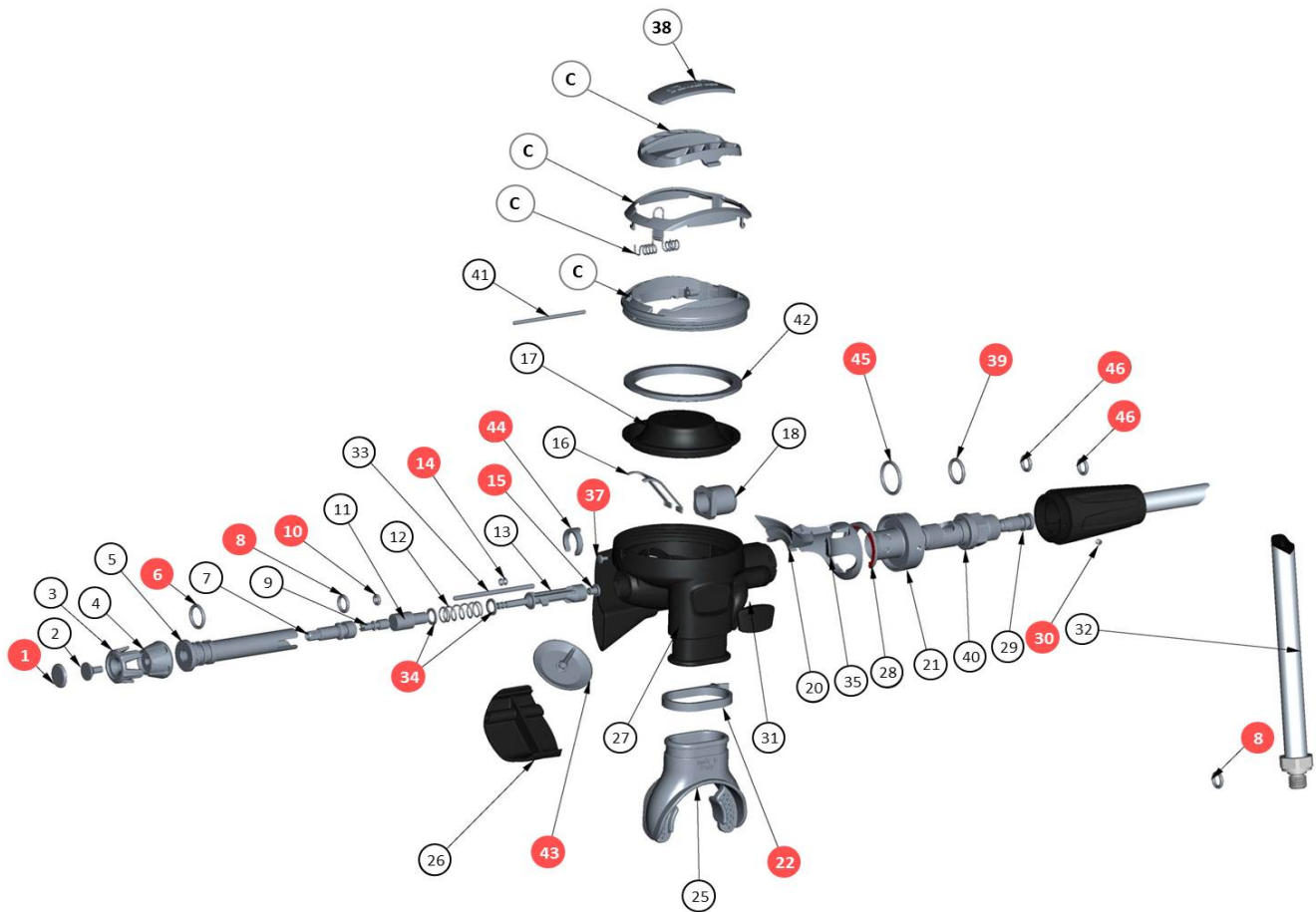


| REF | CODE | DESCRIPTION | € | REF | CODE | DESCRIPTION | € | |
|-----|----------|-----------------------------|---|---|----------|--|---|--|
| 1 | 46201607 | KNOB LABEL | | 32 | 46110114 | OR 114 | | |
| 2 | 46201612 | KNOB SCREW | | 33 | 46200204 | POPPET SEAT | | |
| 3 | 46201616 | UPPER KNOB | | 34 | 46110205 | OR 2025 | | |
| 4 | 46201614 | LOWER KNOB | | 35 | 46201564 | DEMAND LEVER | | |
| 5 | 46201555 | BALANCING TUBE | | 36 | 46201563 | PLASTIC CLIP | | |
| 6 | 46110110 | OR 2037 | | 37 | 46201364 | DIAPHRAGM BLACK | | |
| 7 | 46201557 | ADJUSTING SCREW | | 38 | 46200773 | DIAPHRAGM RING | | |
| 8 | 46110106 | OR 106 | | 39 | B | DIAPHRAGM HOLDER | | |
| 9 | 46201559 | PRE-SETTING SCREW | | 40 | B | PIN 2x45 | | |
| 10 | 46110101 | OR 2012 | | 41 | B | PURGE BUTTON | | |
| 11 | 46201560 | LP BALANCING CHAMBER | | 42 | C | COVER ASSEMBLY (9-10) | | |
| 12 | 46201561 | BALANCING PISTON SPRING | | 43 | C | FRAME COVER | | |
| 13 | 46201604 | BALANCING PISTON | | 44 | 46201379 | LP HOSE 3/8" SFX black 75 cm WO/HOSE PROTECTOR | | |
| 14 | 46201606 | OR 1.78 X 1.02 | | 46 | 46201648 | WASHER BALANCED PISTON | | |
| 15 | 46201605 | RUBBER SEAT | | 47 | C | SPRING BUTTON | | |
| 16 | N/A | SECOND STAGE CASE | | --- | 46201381 | LP HOSE 3/8" SFX yellow 100 cm WO/HOSE PROTECTOR | | |
| 17 | 46201194 | EXHAUST VALVE, SECOND STAGE | | --- | 46201339 | HOSE PROTECTOR SECOND STAGE OCTOPUS | | |
| 18 | 46201309 | EXHAUST TEE | | --- | 46201313 | HOSE PROTECTOR SECOND STAGE | | |
| 19 | 47157984 | CLAMP MOUTHPIECE | | --- | 46186090 | OCTOPUS PLUG | | |
| 20 | E | MOUTHPIECE | | ASSEMBLIES | | | | |
| 21 | A | Label holder lower | | A | 46201732 | KIT LABEL EPIC ADJ (21-22-23) | | |
| 22 | A | Microinjection label Epic | | B | 46201733 | PURGE BUTTON ASSEMBLY (39-40-41-47) | | |
| 23 | A | Label holder upper | | C | 46201734 | COVER ASSEMBLY | | |
| 24 | 46201310 | JAW COVER, FUSION | | --- | 46201729 | SERVICE KIT SECOND STAGE E.U.D. ADJ | | |
| 25 | 46201272 | PIN 2x28 | | E | 46200855 | 10 PACK BLACK MOUTHPIECES | | |
| 26 | 46184289 | SAFETY PIN-COVER | | NOTE | | | | |
| 27 | 46110220 | OR 2062 | | Parts highlighted in red are included in the service kits 46201729 | | | | |
| 28 | 46201311 | FLEX. RING | | | | | | |
| 29 | 46201613 | ADJ VAD KNOB | | | | | | |
| 30 | 46201369 | SETScrew | | | | | | |
| 31 | 46201290 | HOSE CONNECTOR | | | | | | |



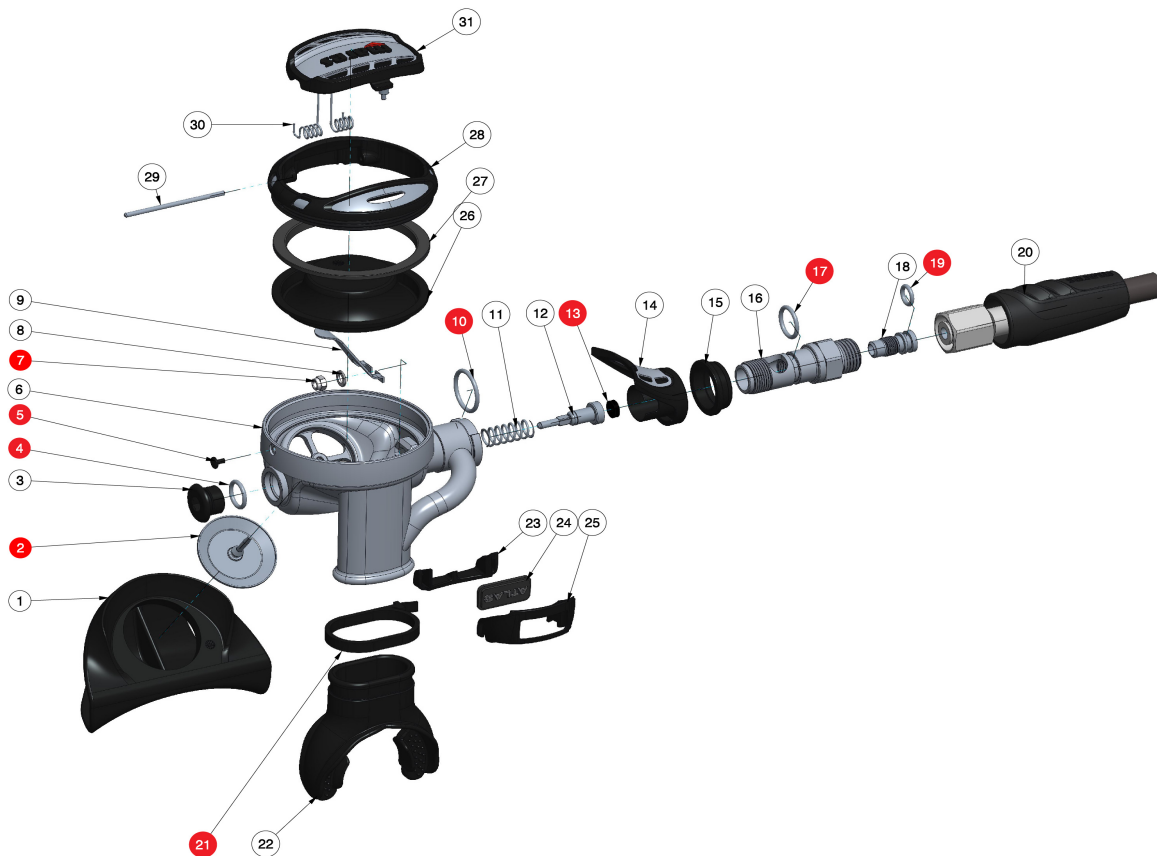
| REF | CODE | DESCRIPTION | € | REF | CODE | DESCRIPTION | € |
|-----|----------|-----------------------------|---|---|----------|--|---|
| 1 | 46201607 | KNOB LABEL | | 28 | 46184289 | SAFETY PIN-COVER | |
| 2 | 46201612 | KNOB SCREW | | 29 | 46201678 | SIDE ADAPTER, DUAL ADJ | |
| 3 | 46201616 | UPPER KNOB | | 30 | 46200779 | SPACER RING | |
| 4 | 46201637 | LOWER KNOB | | 31 | 46201689 | HOSE CONNECTOR | |
| 5 | 46201555 | BALANCING TUBE | | 32 | 46200204 | POPPET SEAT | |
| 6 | 46110110 | OR 2037 | | 33 | 46201563 | PLASTIC CLIP | |
| 7 | 46201557 | ADJUSTING SCREW | | 34 | 46201651 | DUAL ADJ LABEL | |
| 8 | 46110106 | OR 106 | | 35 | 46201379 | LP HOSE 3/8" SFX black 75 cm WO/HOSE PROTECTOR | |
| 9 | 46201559 | PRE-SETTING SCREW | | 36 | 46200361 | EXHAUST PLUG PIN | |
| 10 | 46110101 | OR 2012 | | 37 | 46201648 | WASHER BALANCED PISTON | |
| 11 | 46201560 | LP BALANCING CHAMBER | | 38 | 46110205 | OR 2025 | |
| 12 | 46201561 | BALANCING PISTON SPRING | | 39 | 46110114 | OR 114 | |
| 13 | 46201604 | BALANCING PISTON | | 40 | 46201661 | SECOND STAGE BUTTON OCTOPUS | |
| 14 | 46201606 | OR 1.78 X 1.02 | | 41 | 47157984 | CLAMP MOUTHPIECE | |
| 15 | 46201605 | RUBBER SEAT | | 42 | 46201606 | OR 1.78 X 1.02 | |
| 16 | 46201564 | DEMAND LEVER | | --- | 46201381 | LP HOSE 3/8" SFX yellow 100 cm WO/HOSE PROTECTOR | |
| 17 | 46201364 | DIAPHRAGM BLACK | | --- | 46201249 | HOSE PROTECTOR | |
| 18 | 46200773 | DIAPHRAGM RING | | --- | 46201473 | HOSE PROTECTOR SECOND STAGE | |
| 19 | 46201194 | EXHAUST VALVE, SECOND STAGE | | --- | 46186090 | OCTOPUS PLUG | |
| 20 | 46201660 | SECOND STAGE BUTTON | | ASSEMBLIES | | | |
| 21 | 46201679 | SECOND STAGE BUTTON FRAME | | --- | 46201729 | SERVICE KIT SECOND STAGE E.U.D. ADJ | |
| 22 | 46201658 | THREADED RING | | E | 46200855 | 10 PACK BLACK MOUTHPIECES | |
| 23 | 46201627 | BALANCING TUBE BUSHING | | NOTE | | | |
| 24 | E | MOUTHPIECE | | Parts highlighted in red are included in the service kits 46201729 | | | |
| 25 | 46110220 | OR 2062 | | | | | |
| 26 | 46201636 | INSPECTION PLUG | | | | | |
| 27 | 46201635 | SECOND STAGE CASE | | | | | |

| | | |
|---------------------------|---|-----------------------------|
| DRAWING NO : E 122 | SECOND STAGE ULTRA ADJ - OCTOPUS ULTRA ADJ | UPDATED : 24/08/2018 |
|---------------------------|---|-----------------------------|

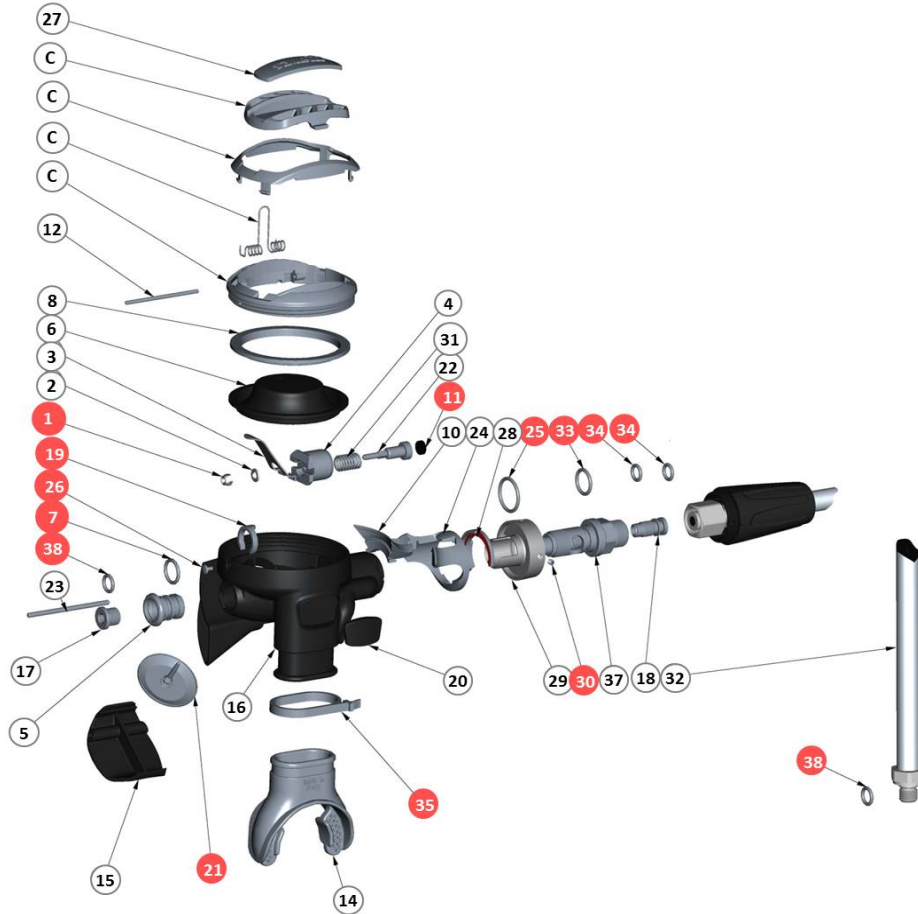


| | | |
|-----------------------|---|----------------------------|
| CHART NO : 138 | SECOND STAGE ULTRA ADJ - OCTOPUS ULTRA ADJ | UPDATED: 21/12/2018 |
|-----------------------|---|----------------------------|

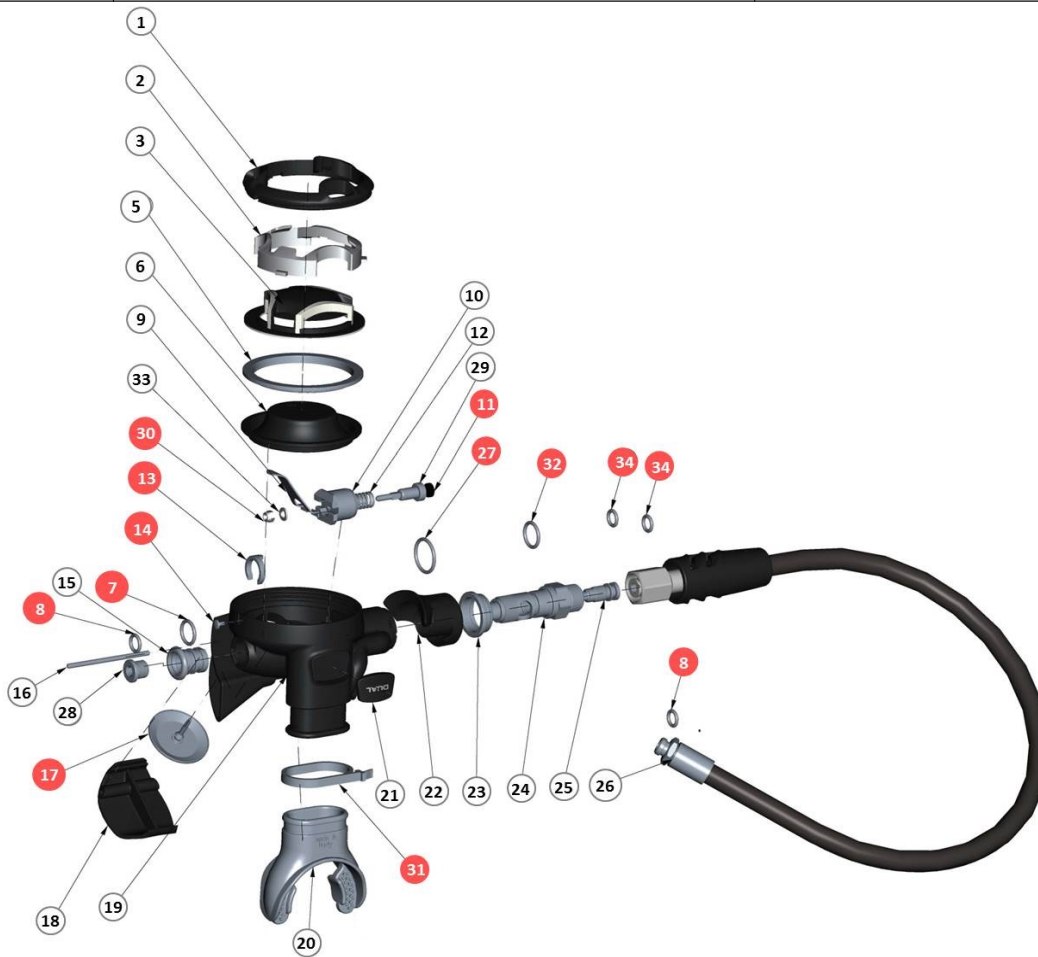
| REF | CODE | DESCRIPTION | € | REF | CODE | DESCRIPTION | € |
|-----|----------|---------------------------|---|---|----------|--|---|
| 1 | 46201607 | KNOB LABEL | | 31 | 46201649 | ULTRA ADJ LABEL | |
| 2 | 46201612 | KNOB SCREW | | 32 | 46201379 | LP HOSE 3/8" SFX black 75 cm WO/HOSE PROTECTOR | |
| 3 | 46201616 | UPPER KNOB | | 33 | 46200361 | EXHAUST PLUG PIN | |
| 4 | 46201637 | LOWER KNOB | | 34 | 46201648 | WASHER BALANCED PISTON | |
| 5 | 46201555 | BALANCING TUBE | | 35 | 46201632 | SIDE ADAPTER, ULTRA | |
| 6 | 46110110 | OR 2037 | | 36 | C | SPRING BUTTON | |
| 7 | 46201557 | ADJUSTING SCREW | | 37 | 46184289 | SAFETY PIN-COVER | |
| 8 | 46110106 | OR 106 | | 38 | 46201624 | PURGE BUTTON LABEL ULTRA/ULTRA ADJ | |
| 9 | 46201559 | PRE-SETTING SCREW | | 39 | 46110114 | OR 114 | |
| 10 | 46110101 | OR 2012 | | 40 | 46201290 | HOSE CONNECTOR | |
| 11 | 46201560 | LP CHAMBER | | 41 | C | PIN 2x45 | |
| 12 | 46201561 | BALANCING PISTON SPRING | | 42 | 46200773 | DIAPHRAGM RING | |
| 13 | 46201604 | BALANCING PISTON | | 43 | 46201194 | EXHAUST VALVE, SECOND STAGE | |
| 14 | 46201606 | OR 1.78 X 1.02 | | 44 | 46201563 | PLASTIC CLIP | |
| 15 | 46201605 | RUBBER SEAT | | 45 | 46110220 | OR 2062 | |
| 16 | 46201564 | DEMAND LEVER | | 46 | 46110205 | OR 2025 | |
| 17 | 46201364 | DIAPHRAGM BLACK | | --- | 46201381 | LP HOSE 3/8" SFX yellow 100 cm WO/HOSE PROTECTOR | |
| 18 | 46201627 | BALANCING TUBE BUSHING | | --- | 46186090 | OCTOPUS PLUG | |
| 19 | C | OUTER RING, ULTRA COVER | | --- | 46201339 | HOSE PROTECTOR SECOND STAGE OCTOPUS | |
| 20 | 46201634 | INSERT FOR ULTRA ADAPTER | | --- | 46201313 | HOSE PROTECTOR SECOND STAGE | |
| 21 | 46201631 | VAD KNOB, ULTRA/ULTRA ADJ | | | | | |
| 22 | 47157984 | CLAMP MOUTHPIECE | | ASSEMBLIES | | | |
| 23 | C | FRAME ULTRA | | C | 46201735 | COVER ASSEMBLY | |
| 24 | C | PURGE BUTTON ULTRA | | D | 46201729 | SERVICE KIT SECOND STAGE E.U.D. ADJ | |
| 25 | E | MOUTHPIECE | | E | 46200855 | 10 PACK BLACK MOUTHPIECES | |
| 26 | 46201636 | INSPECTION PLUG | | NOTE | | | |
| 27 | 46201635 | SECOND STAGE CASE | | Parts highlighted in red are included in the service kits 46201729 | | | |
| 28 | 46201311 | FLEX. RING | | | | | |
| 29 | 46200204 | POPPET SEAT | | | | | |
| 30 | 46201369 | SETScrew | | | | | |



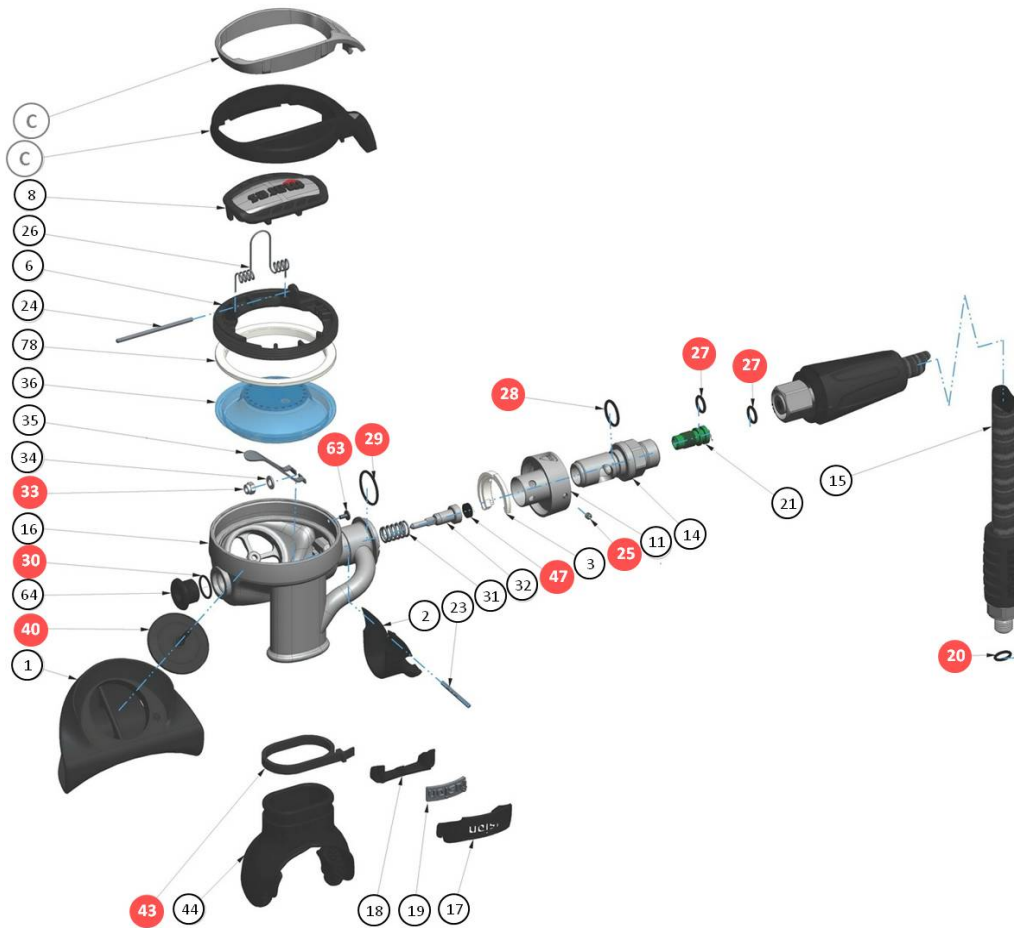
| REF | CODE | DESCRIPTION | € | REF | CODE | DESCRIPTION | € |
|---|----------|---------------------------------|---|-----|----------|-----------------|---|
| 1 | 46201309 | EXHAUST TEE | | 26 | 46201364 | DIAPHRAGM BLACK | |
| 2 | 46201194 | EXHAUST VALVE, SECOND STAGE | | 27 | 46200773 | DIAPHRAGM RING | |
| 3 | 46200322 | BUSHING | | 28 | A | BUTTON RING | |
| 4 | 46110110 | OR 2037 | | 29 | A | BUTTON PIN | |
| 5 | 46184289 | SAFETY PIN-COVER | | 30 | A | BUTTON SPRING | |
| 6 | N/A | SECOND STAGE CASE | | 31 | A | PURGE BUTTON | |
| 7 | 46185051 | LOCKNUT, DEMAND LEVER | | 32 | 46110106 | OR 106 | |
| 8 | 46185049 | WASHER, DEMAND LEVER | | | | | |
| 9 | 46200778 | DEMAND LEVER | | | | | |
| 10 | 46110220 | OR 2062 | | | | | |
| 11 | 46201404 | SPRING SECOND STAGE | | | | | |
| 12 | 46201338 | POPPET BODY | | | | | |
| 13 | 46184062 | RUBBER SEAT SECOND STAGE | | | | | |
| 14 | 46202212 | SIDE ADAPTER | | | | | |
| 15 | 46200779 | SPACER RING | | | | | |
| 16 | 46201689 | HOSE CONNECTOR | | | | | |
| 17 | 46110114 | OR 114 | | | | | |
| 18 | 46200204 | POPPET SEAT | | | | | |
| 19 | 46110205 | OR 2025 | | | | | |
| 20 | 46200998 | Hose SFX 3/8" | | | | | |
| 21 | 47157984 | CLAMP MOUTHPIECE | | | | | |
| 22 | E | MOUTHPIECE | | | | | |
| 23 | - | Label holder lower | | | | | |
| 24 | - | Microinjection label Epic | | | | | |
| 25 | - | Label holder upper | | | | | |
| ASSEMBLIES | | | | | | | |
| | 46201731 | SERVICE KIT SECOND STAGE F.D.U. | | | | | |
| C | 46201817 | PURGE BUTTON ATLAS CPL | | | | | |
| E | 46200855 | 10 PACK BLACK MOUTHPIECES | | | | | |
| NOTE | | | | | | | |
| Parts highlighted in red are included in the service kits 46201731 | | | | | | | |



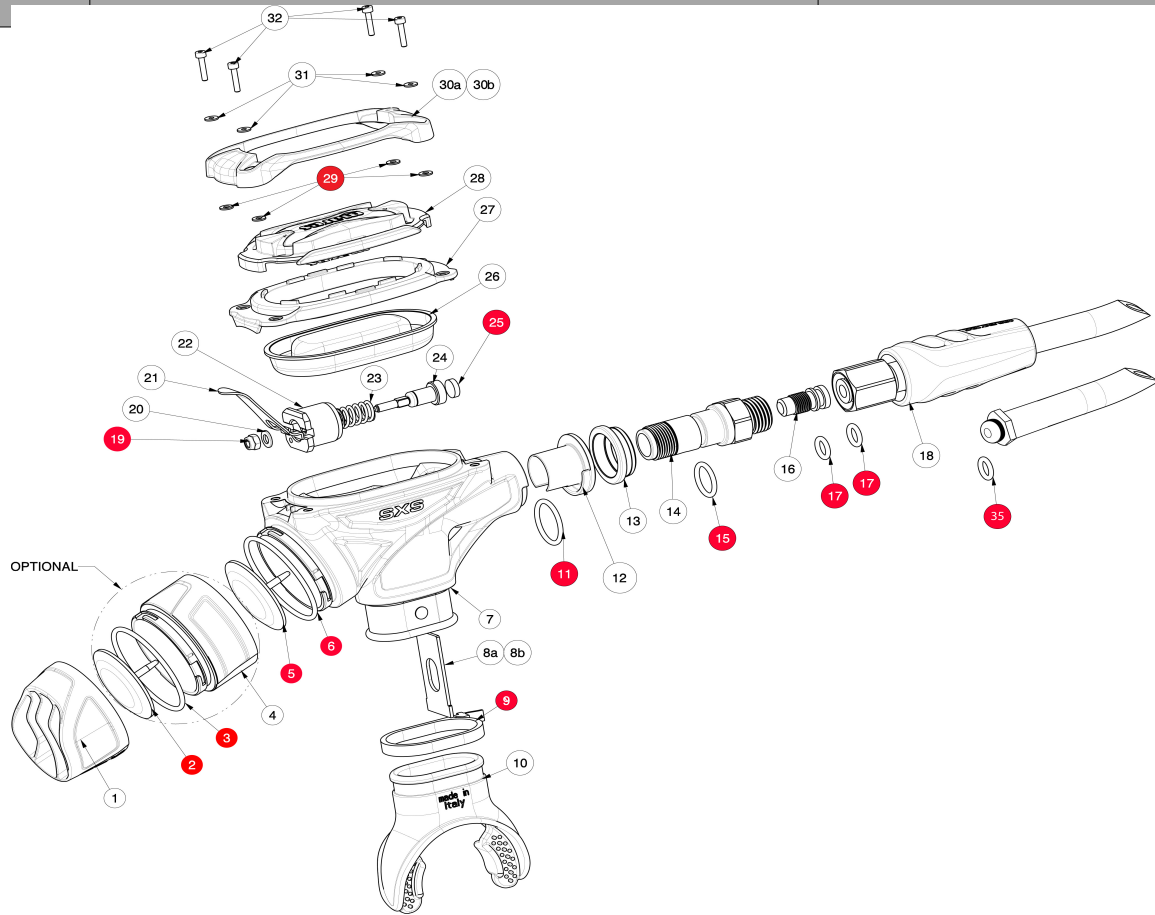
| REF | CODE | DESCRIPTION | € | REF | CODE | DESCRIPTION | € |
|-----|----------|------------------------------------|---|---|----------|--|---|
| 1 | 46185051 | LOCKNUT, DEMAND LEVER | | 28 | 46201311 | FLEX. RING | |
| 2 | 46185049 | WASHER, DEMAND LEVER | | 29 | 46201631 | VAD KNOB, ULTRA/ULTRA ADJ | |
| 3 | 46200778 | DEMAND LEVER | | 30 | 46201369 | SETScrew | |
| 4 | 46201625 | LEVER HOLDER ULTRA/DUAL | | 31 | 46201404 | SPRING SECOND STAGE | |
| 5 | 46201628 | BUSHING ULTRA/DUAL | | 32 | 46201379 | LP HOSE 3/8" SFX black 75 cm WO/HOSE PROTECTOR | |
| 6 | 46201364 | DIAPHRAGM BLACK | | 33 | 46110114 | OR 114 | |
| 7 | 46110110 | OR 2037 | | 34 | 46110205 | OR 2025 | |
| 8 | 46200773 | DIAPHRAGM RING | | 35 | 47157984 | CLAMP MOUTHPIECE | |
| 9 | C | OUTER RING, ULTRA COVER | | 36 | C | SPRING BUTTON | |
| 10 | 46201634 | INSERT FOR ULTRA ADAPTER | | 37 | 46201290 | HOSE CONNECTOR | |
| 11 | 46184062 | RUBBER SEAT SECOND STAGE | | 38 | 46110106 | OR 106 | |
| 12 | C | PIN 2x45 | | 39 | C | FRAME ULTRA | |
| 13 | C | PURGE BUTTON | | --- | 46186090 | OCTOPUS PLUG | |
| 14 | E | MOUTHPIECE | | --- | 46201381 | LP HOSE 3/8" SFX yellow 100 cm WO/HOSE PROTECTOR | |
| 15 | 46201636 | INSPECTION PLUG | | --- | 46201339 | HOSE PROTECTOR SECOND STAGE OCTOPUS | |
| 16 | 46201635 | SECOND STAGE CASE | | --- | 46201313 | HOSE PROTECTOR SECOND STAGE | |
| 17 | 46201629 | PLUG ULTRA/DUAL SIDE PORT | | | | | |
| 18 | 46200204 | POPPET SEAT | | ASSEMBLIES | | | |
| 19 | 46201563 | PLASTIC CLIP | | C | 46201735 | COVER ASSEMBLY | |
| 20 | 46201650 | LABEL ULTRA | | --- | 46201731 | SERVICE KIT SECOND STAGE F.D.U. | |
| 21 | 46201194 | EXHAUST VALVE, SECOND STAGE | | E | 46200855 | 10 PACK BLACK MOUTHPIECES | |
| 22 | 46201338 | POPPET BODY, FUSION | | NOTE | | | |
| 23 | 46200361 | EXHAUST PLUG PIN | | Parts highlighted in red are included in the service kits 46201731 | | | |
| 24 | 46201632 | SIDE ADAPTER, ULTRA | | | | | |
| 25 | 46110220 | OR 2062 | | | | | |
| 26 | 46184289 | SAFETY PIN-COVER | | | | | |
| 27 | 46201624 | PURGE BUTTON LABEL ULTRA/ULTRA ADJ | | | | | |



| REF | CODE | DESCRIPTION | € | REF | CODE | DESCRIPTION | € |
|-----|----------|-----------------------------|---|---|----------|--|---|
| 1 | 46201658 | THREADED RING | | 24 | 46201689 | HOSE CONNECTOR | |
| 2 | 46201679 | SECOND STAGE BUTTON FRAME | | 25 | 46200204 | POPPET SEAT | |
| 3 | 46201660 | SECOND STAGE BUTTON | | 26 | 46201379 | LP HOSE 3/8" SFX black 75 cm WO/HOSE PROTECTOR | |
| 4 | 46201661 | SECOND STAGE BUTTON OCTOPUS | | 27 | 46110220 | OR 2062 | |
| 5 | 46200773 | DIAPHRAGM RING | | 28 | 46201629 | PLUG ULTRA/DUAL SIDE PORT | |
| 6 | 46201364 | DIAPHRAGM BLACK | | 29 | 46201338 | POPPET BODY | |
| 7 | 46110110 | OR 2037 | | 30 | 46185051 | LOCKNUT, DEMAND LEVER | |
| 8 | 46110106 | OR 106 | | 31 | 47157984 | CLAMP MOUTHPIECE | |
| 9 | 46200778 | DEMAND LEVER PRESTIGE | | 32 | 46110114 | OR 114 | |
| 10 | 46201625 | LEVER HOLDER ULTRA/DUAL | | 33 | 46185049 | WASHER, DEMAND LEVER | |
| 11 | 46184062 | RUBBER SEAT SECOND STAGE | | 34 | 46110205 | OR 2025 | |
| 12 | 46201404 | SPRING SECOND STAGE | | --- | 46201381 | LP HOSE 3/8" SFX yellow 100 cm WO/HOSE PROTECTOR | |
| 13 | 46201563 | PLASTIC CLIP | | --- | 46201249 | HOSE PROTECTOR | |
| 14 | 46184289 | SAFETY PIN-COVER | | --- | 46201313 | HOSE PROTECTOR SECOND STAGE | |
| 15 | 46201628 | BUSHING ULTRA/DUAL | | --- | 46186090 | OCTOPUS PLUG | |
| 16 | 46200361 | EXHAUST PLUG PIN | | ASSEMBLIES | | | |
| 17 | 46201194 | EXHAUST VALVE, SECOND STAGE | | --- | 46201731 | SERVICE KIT SECOND STAGE F.D.U. | |
| 18 | 46201636 | INSPECTION PLUG | | E | 46200855 | 10 PACK BLACK MOUTHPIECES | |
| 19 | 46201635 | SECOND STAGE CASE | | NOTE | | | |
| 20 | E | MOUTHPIECE | | Parts highlighted in red are included in the service kits 46201731 | | | |
| 21 | 46201652 | DUAL LABEL | | | | | |
| 22 | 46201662 | SIDE ADAPTER, DUAL | | | | | |
| 23 | 46200779 | SPACER RING | | | | | |



| REF | CODE | DESCRIPTION | € | REF | CODE | DESCRIPTION | € |
|-----|----------|--|---|--|----------|-------------------------------------|---|
| 1 | 46201309 | EXHAUST TEE | | 32 | 46201338 | POPPET BODY, FUSION | |
| 2 | 46201310 | JAW COVER, FUSION | | 33 | 46185051 | LOCKNUT, DEMAND LEVER | |
| 3 | 46201311 | FLEX. RING | | 34 | 46185049 | WASHER, DEMAND LEVER | |
| 6 | B | DIAPHRAGM HOLDER | | 35 | 46200778 | DEMAND LEVER | |
| 8 | B | PURGE BUTTON | | 36 | 46201364 | DIAPHRAGM BLACK | |
| 9 | C | COVER, FUSION | | 40 | 46201194 | EXHAUST VALVE, SECOND STAGE | |
| 10 | C | FRAME COVER, FUSION | | 43 | 47157984 | CLAMP MOUTHPIECE | |
| 11 | 46201321 | ADJ VAD KNOB | | 44 | E | MOUTHPIECE | |
| 14 | 46201290 | HOSE CONNECTOR FUSION | | 47 | 46184062 | RUBBER SEAT SECOND STAGE | |
| 15 | 46201379 | LP HOSE 3/8" SFX black 75 cm WO/HOSE PROTECTOR | | 64 | 46200322 | SECOND STAGE. ADJUSTMENT PLUG | |
| 15 | 46201381 | LP HOSE 3/8" SFX yellow 100 cm WO/HOSE PROTECTOR | | 63 | 46184289 | SAFETY PIN-COVER | |
| 16 | N/A | SECOND STAGE CASE | | 78 | 46200773 | DIAPHRAGM RING | |
| 17 | A | Label holder upper | | --- | 46201339 | HOSE PROTECTOR SECOND STAGE OCTOPUS | |
| 18 | A | Label holder lower | | --- | 46201313 | HOSE PROTECTOR SECOND STAGE | |
| 19 | A | Microinjection label Fusion | | --- | 46186090 | OCTOPUS PLUG | |
| 20 | 46110106 | OR 106 | | ASSEMBLIES | | | |
| 21 | 46200204 | POPPET SEAT | | A | 46201353 | KIT LABEL FUSION (17-18-19) | |
| 23 | 46201272 | PIN 2x28 | | B | 46201352 | PURGE BUTTON ASSEMBLY (6-8-24-26) | |
| 24 | B | PIN 2x45 | | C | 46201351 | COVER ASSEMBLY (9-10) | |
| 25 | 46201369 | SETSCREW | | --- | 46201731 | SERVICE KIT SECOND STAGE F.D.U. | |
| 26 | B | SPRING BUTTON | | E | 46200855 | 10 PACK BLACK MOUTHPIECES | |
| 27 | 46110205 | OR 2025 | | NOTE | | | |
| 28 | 46110114 | OR 114 | | Parts highlighted in red are included in the service kits 46201731 | | | |
| 29 | 46110220 | OR 2062 | | | | | |
| 30 | 46110110 | OR 2037 | | | | | |
| 31 | 46201404 | SPRING SECOND STAGE | | | | | |



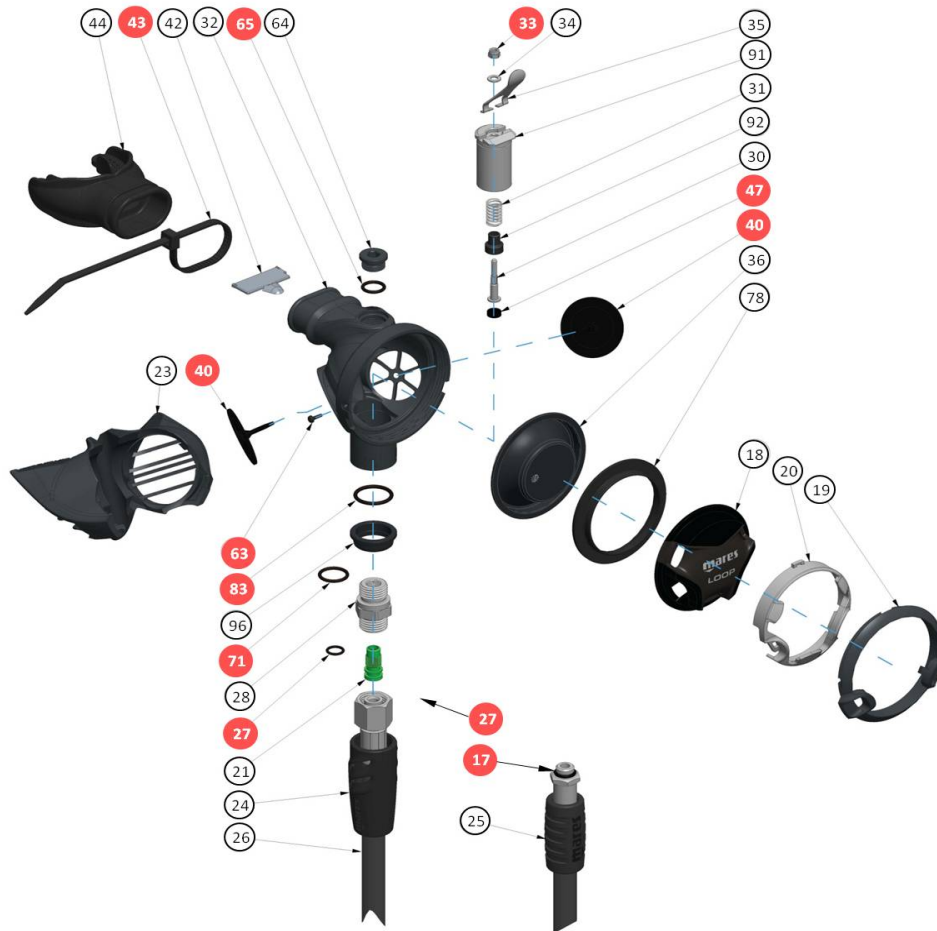
SECOND STAGE SXS

UPDATED: 04/08/2021

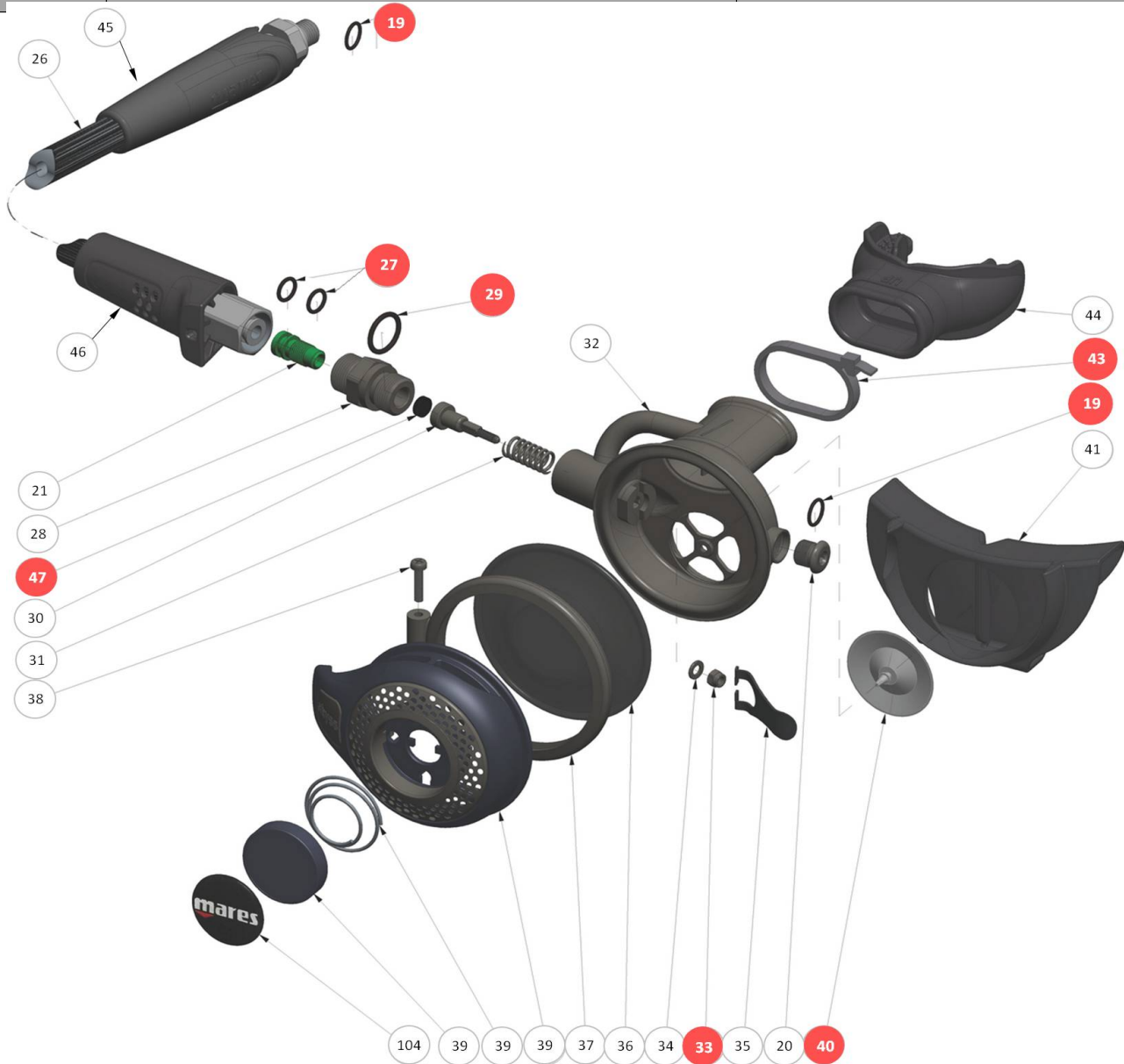
| REF | CODE | DESCRIPTION | € | REF | CODE | DESCRIPTION | € |
|-----|----------|-----------------------------|---|---|----------|--|---|
| 1 | 46202139 | EXHAUST TEE | | 23 | 46201404 | SPRING SECOND STAGE | |
| 2 | F | EXHAUST VALVE, SECOND STAGE | | 24 | 46201338 | POPPET BODY | |
| 3 | F | OR 2137 | | 25 | 46184062 | RUBBER SEAT SECOND STAGE | |
| 4 | F | EXTENSION EXHAUST TEE | | 26 | 46187009 | DIAPHRAGM OVAL | |
| 5 | 46201194 | EXHAUST VALVE, SECOND STAGE | | 27 | 46202135 | RING-DIAPHRAGM | |
| 6 | 44200914 | OR 2137 | | 28 | 46202136 | SECOND STAGE BUTTON SXS | |
| 7 | ---- | 2ND STAGE BODY | | 29 | 46187008 | WASHER BUTTON SXS | |
| 8a | 46202158 | SLOTTED DEFLECTOR | | 30a | 46202137 | BUTTON FRAME SXS BK | |
| 8b | 46202138 | SLOTTED DEFLECTOR OCTOPUS | | 30b | 46202144 | SECOND STAGE BUTTON SXS (YELLOW) | |
| 9 | 47157984 | CLAMP MOUTHPIECE | | 31 | 46187005 | WASHER FRAME SXS | |
| 10 | E | MOUTHPIECE | | 32 | 46202155 | SCREW M2 | |
| 11 | 46110220 | OR 2062 | | 34 | 46201379 | LP HOSE 3/8" SFX black 75 cm WO/HOSE PROTECTOR | |
| 12 | 46202166 | ADAPTER SXS | | 34 | 46201381 | LP HOSE 3/8" SFX yellow 100 cm WO/HOSE PROTECTOR | |
| 13 | 46200779 | SPACER RING | | 35 | 46110106 | OR 106 | |
| 14 | 46202133 | HOSE CONNECTOR | | ASSEMBLIES | | | |
| 15 | 46110114 | OR 114 | | ---- | 46201811 | SERVICE KIT SECOND STAGE SXS | |
| 16 | 46200204 | POPPET SEAT | | E | 46200855 | 10 PACK BLACK MOUTHPIECES | |
| 17 | 46110205 | OR 2025 | | F | 416820 | SXS - EXTENSION TEE DRY KIT | |
| 18 | 46201473 | HOSE PROTECTOR SECOND STAGE | | NOTE | | | |
| 19 | 46185051 | LOCKNUT, DEMAND LEVER | | Parts highlighted in red are included in the service kits 46201811 | | | |
| 20 | 46185049 | WASHER, DEMAND LEVER | | | | | |
| 21 | 46200778 | DEMAND LEVER | | | | | |
| 22 | 46202157 | LEVER HOLDER SXS | | | | | |

NOTE

Parts highlighted in red are included in the service kits **46201811**



| REF | CODE | DESCRIPTION | € | REF | CODE | DESCRIPTION | € |
|-----|----------|---|---|---|----------|---------------------------|---|
| 17 | 46110106 | OR 106 | | 43 | 47157984 | CLAMP | |
| 18 | 46201483 | SECOND STAGE BUTTON BK | | 44 | E | MOUTHPIECE | |
| 18 | 46201480 | SECOND STAGE BUTTON YELLOW | | 47 | 46184062 | RUBBER SEAT SECOND STAGE | |
| 19 | 46201462 | THREADED RING | | 63 | 46184289 | PIN-COVER | |
| 20 | 46201464 | SECOND STAGE BUTTON FRAME | | 64 | 46201460 | INSPECTION PLUG | |
| 21 | 46200204 | POPPET SEAT | | 65 | 46110110 | OR2037 | |
| 23 | 46201461 | EXHAUST TEE | | 71 | 46110211 | OR 2050 | |
| 24 | 46201473 | HOSE PROTECTOR SECOND STAGE | | 78 | 46201456 | DIAPHRAGM RING | |
| 25 | 46201249 | HOSE PROTECTOR | | 83 | 46110225 | OR 2068 | |
| 26 | 46201665 | LP HOSE 3/8" RUBBER BK 110 cm WO/HOSE PROTECTOR | | 91 | 46201469 | DEMAND LEVER INSERT | |
| 26 | 46201666 | LP HOSE 3/8" RUBBER YL 110 cm WO/HOSE PROTECTOR | | 92 | 46184221 | VALVE BODY, SECOND STAGE | |
| 27 | 46110205 | OR 2025 | | 96 | 46200779 | SPACER RING BY-PASS BK | |
| 28 | 46184282 | HOSE CONNECTOR | | --- | 46186090 | OCTOPUS PLUG | |
| 30 | 46184219 | POPPET METAL BODY REGS | | ASSEMBLIES | | | |
| 31 | 46201404 | SPRING SECOND STAGE | | E | 46200855 | 10 PACK BLACK MOUTHPIECES | |
| 32 | 46201459 | SECOND STAGE CASE | | --- | 46201498 | SERVICE KIT LOOP/VR | |
| 33 | 46185051 | LOCKNUT, DEMAND LEVER | | NOTE | | | |
| 34 | 46185049 | WASHER, DEMAND LEVER | | Parts highlighted in red are included in the service kits 46201498 | | | |
| 35 | 46200778 | DEMAND LEVER PRESTIGE | | | | | |
| 36 | 46201364 | DIAPHRAGM PRESTIGE BLACK | | | | | |
| 40 | 46201194 | EXHAUST VALVE, SECOND STAGE | | | | | |
| 42 | 46201470 | VR DEFLECTOR | | | | | |



| REF | CODE | DESCRIPTION | € | REF | CODE | DESCRIPTION | € |
|-----|----------|-----------------------------|---|-------------------|----------|--|---|
| 19 | 46110106 | OR 106 for Hose 3/8" | | 38 | 46200897 | CLAMP SCREW, II STAGE | |
| 19 | 46110215 | OR 2043 for Hose 1/2" | | 40 | 46184006 | EXHAUST VALVE, SECOND STAGE | |
| 20 | 46200898 | LP PLUG" Tfl | | 41 | 46186310 | EXHAUST TEE | |
| 21 | 46200204 | POPPET SEAT | | 43 | 47157984 | CLAMP | |
| 26 | 46201109 | LP HOSE 1/2" Navy | | 44 | 46200855 | MOUTHPIECE BK (10 pcs) | |
| 26 | 46201363 | LP HOSE 3/8" OCTOPUS NAVY | | 45 | 46201078 | HOSE PROTECTOR I St. 1/2 2K13 | |
| 27 | 46110205 | OR 2025 | | 46 | 46200846 | HOSE PROTECTOR SECOND STAGE | |
| 28 | 46200627 | HOSE CONNECTOR Tfl | | 47 | 46184062 | RUBBER SEAT SECOND STAGE | |
| 29 | 46110211 | OR 2050 | | 104a | 46200803 | STICKER ABYSS | |
| 30 | 46200894 | STEM POPPET ABYSS TFL | | 104b | 46200804 | STICKER ABYSS OCTOPUS | |
| 31 | 46200893 | POPPET SPRING SECOND STAGE | | ASSEMBLIES | | | |
| 32 | 46201191 | 2STG CASE ABYSS EXTREME TFL | | 39 | 46201018 | COVER ASSEMBL. ABYSS Extreme | |
| 33 | 46200623 | LOCKNUT, DEMAND LEVER | | --- | 46200912 | SERVICE KIT. SECOND STAGE ABYSS Extreme (19-27-29-33-40-43-47) | |
| 34 | 46200622 | WASHER, DEMAND LEVER | | --- | 46185166 | SERVICE KIT. SECOND STAGE ABYSS (VITON) | |
| 35 | 46201240 | DEMAND LEVER | | --- | 46200510 | KIT RETROFIT (21-27-47) | |
| 36 | 46186029 | DIAPHRAGM | | | | | |
| 37 | 46200896 | RING CLAMP, SECOND STAGE | | | | | |

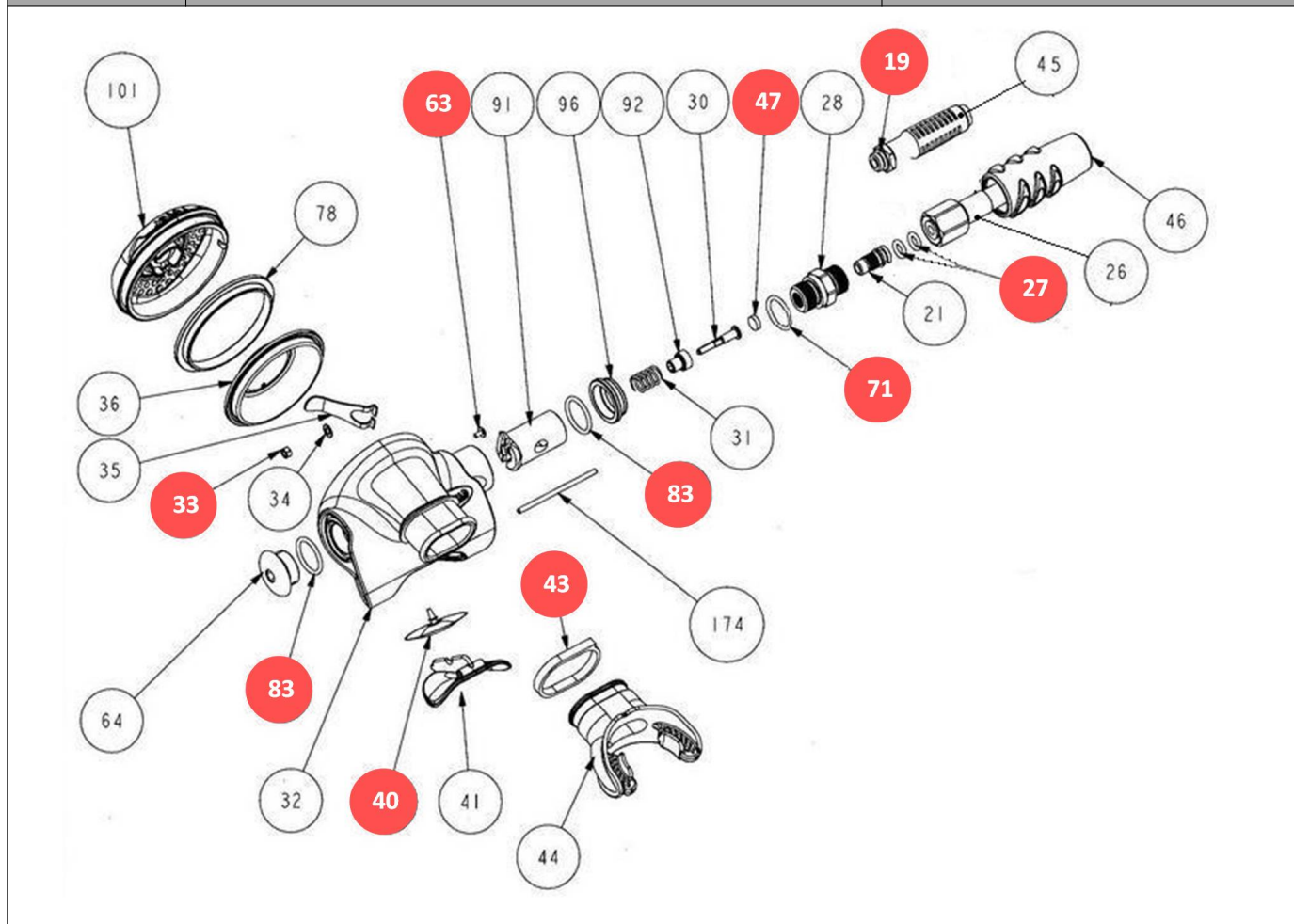


CHART NO : 128

UPDATED: 10/01/2017

| REF | CODE | DESCRIPTION |
|-----|----------|--|
| 19 | 46110106 | OR 106 |
| 21 | 46200204 | POPPET SEAT |
| 26 | 46201382 | LP HOSE 3/8" black 80 cm WO/HOSE PROTECTOR |
| 26 | 46201383 | LP HOSE 3/8" yellow 100 cm WO/HOSE PROTECTOR |
| 27 | 46110205 | OR 2025 |
| 28 | 46184282 | HOSE CONNECTOR |
| 30 | 46184219 | POPPET METAL BODY REGS |
| 31 | 46201404 | SPRING SECOND STAGE |
| 32 | 46200858 | SECOND STAGE CASE |
| 33 | 46185051 | LOCKNUT, DEMAND LEVER |
| 34 | 46185049 | WASHER, DEMAND LEVER |
| 35 | 46200778 | DEMAND LEVER PRESTIGE |
| 36 | 46201364 | DIAPHRAGM PRESTIGE BLACK |
| 40 | 46184006 | EXHAUST VALVE, SECOND STAGE |
| 41 | 46200769 | INSPECTION PLUG |
| 43 | 47157984 | CLAMP |
| 44 | --- | SEE CATALOGUE |
| 45 | 46201249 | HOSE PROTECTOR |
| 46 | 46201473 | HOSE PROTECTOR SECOND STAGE |
| 47 | 46184062 | RUBBER SEAT SECOND STAGE |
| 63 | 46184289 | PIN-COVER |
| 64 | 46200772 | SECOND STAGE. ADJUSTMENT PLUG |

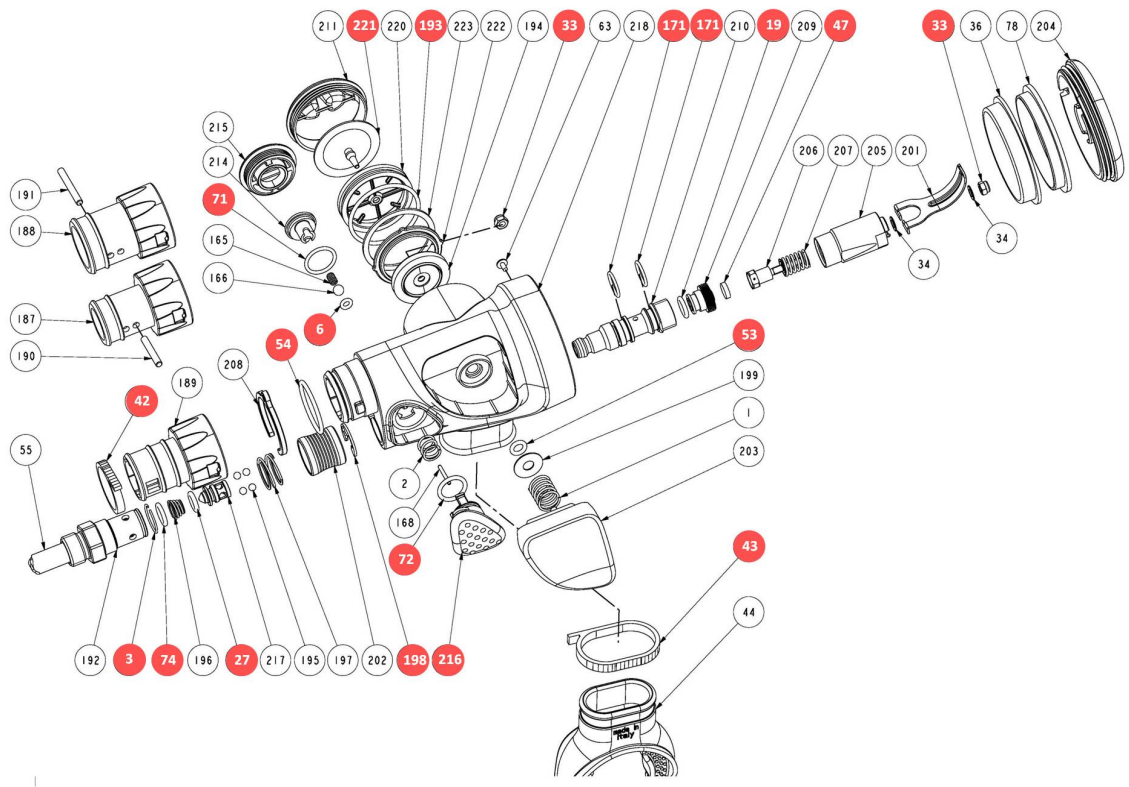
| REF | CODE | DESCRIPTION |
|-----|----------|----------------------------------|
| 71 | 46110211 | OR 2050 |
| 78 | 46200773 | DIAPHRAGM RING PRESTIGE |
| 83 | 46110225 | OR 2068 |
| 91 | 46200992 | INSERT FOR DEMAND LEVER |
| 92 | 46184221 | VALVE BODY, SECOND STAGE |
| 96 | 46200779 | SPACER RING BY-PASS BK |
| 96 | 46200782 | SPACER RING BY-PASS YL |
| 101 | 46201250 | COVER 2°nd STAGE Rover BLACK (*) |
| 101 | 46201251 | COVER OCTOPUS Rover (**) |
| 101 | 46201252 | COVER NITROX Rover |
| 174 | 46200361 | EXHAUST PLUG PIN |

ASSEMBLIES

| | | |
|-----|----------|--------------------------------------|
| --- | 46200855 | 10 PACK BLACK MOUTHPIECES |
| --- | 46200296 | SERVICE KIT ROVER/PRESTIGE/CARBON/CR |
| --- | 46200510 | KIT RETROFIT (21-27-47) |

NOTE

Parts highlighted in red are included in the service kits **46200296** Service kit (Viton) is available in the "Accessori 1" section until the stocks ends; it will be replaced by the Service kit with NBR O-rings.
 (*) Till stock ends - it will be replaced by code **46202062**
 (**) Till stock ends - it will be replaced by code **46202063**



| REF | CODE | DESCRIPTION | € | REF | CODE | DESCRIPTION | € |
|-----|----------|-------------------------------|---|--|----------|---|---|
| 1 | 46201284 | Spring Deflate ButtonAIR 2k9 | | 199 | 46201031 | Metal Washer | |
| 2 | 46201113 | Spring Inflate ButtonAIR 2k9 | | 201 | 46201044 | Demand Lever AirControl | |
| 3 | 46201040 | Snap Ring | | 202 | C | Quick Connector Slider | |
| 6 | 46110101 | OR 2012 | | 203 | 46201019 | Purge Button Silver | |
| 19 | 46110106 | OR 106 | | 204 | 46201029 | Cover Air Control | |
| 27 | 46110205 | OR 2025 | | 205 | 46201028 | Poppet Housing | |
| 33 | 46185051 | LOCKNUT, DEMAND LEVER | | 206 | 46201027 | Poppet metal BODY regs | |
| 34 | 46185049 | Washer | | 207 | 46185059 | Spring Regulator | |
| 36 | 46200311 | DIAPHRAGM, SECOND STAGE | | 208 | 46201026 | Plastic Segeer | |
| 42 | 45179863 | Clamp 3.6x200 | | 209 | 46201012 | Poppet Seat | |
| 43 | 47157984 | Mouthpiece Clamp | | 210 | 46201015 | Male Connector | |
| 44 | --- | SEE CATALOGUE | | 211 | 46201025 | Exhaust Valve Cap | |
| 45 | 46186090 | OCTOPUS Plug | | 214 | 46201024 | O-Ring seat | |
| 46 | 46201249 | Hose Protector | | 215 | 46201023 | Inflating Plug | |
| 47 | 46184062 | RUBBER SEAT SECOND STAGE | | 216 | D | Inflating Button Red | |
| 53 | 46110204 | OR 2021 | | 217 | 46201016 | Quick Connector Shutter | |
| 54 | 46110221 | OR 2081 | | 218 | 46201021 | Corpo AirControl | |
| 55 | 46200998 | Hose SFX 3/8" | | 220 | 46187025 | Exhaust Valve Seat | |
| 63 | 46184289 | Pin-Cover | | 221 | 46184006 | Exhaust Valve | |
| 71 | 46110211 | OR 2050 | | 222 | 46201020 | Spacer Ring | |
| 72 | 46110215 | OR 2043 | | 223 | 46201212 | Exhaust valve Gasket | |
| 74 | 46110107 | OR 2031 | | ASSEMBLIES | | | |
| 78 | 46200321 | DIAPHRAGM PLASTIC RING | | A | 46201065 | Service Kit OCTOPUS (19-33-43-47-63-171-193-198-221) | |
| 165 | 43163807 | Spring Inflating Valve | | B | 46201064 | Service Kit Inflator (3-6-19-27-33-42-53-54-71-72-74-216) | |
| 166 | 43163808 | Steel Ball 3/16" | | C | 46201066 | Quick Connector ASSEMBLIES Female | |
| 168 | D | Pin Ergo 2K5 | | D | 46201067 | Inflating Button Red ASSEMBLIES (72-168-216) | |
| 171 | 46110110 | OR 2037 | | A1 | 46201068 | Adaptor d20 Air Control (42-54-187-190-208) | |
| 187 | A1 | Inflator Adaptor 20mm | | A2 | 46201069 | Adaptor d25 Air Control (42-54-188-191-208) | |
| 188 | A2 | Inflator Adaptor 25mm | | --- | 46200855 | 10 PACK BLACK MOUTHPIECES | |
| 189 | 46201036 | Inflator Adaptor 21mm | | NOTE | | | |
| 190 | A1 | Metal Pin 3x20 | | *** STARTING FROM SERIAL NO. EC11923, MARES ASSEMBLE IN ALL AIR-CONTROL UNITS THE RUBBER SEAT # 46184062 Parts highlighted in red are included in the service kits 46201065 - 46201064 | | | |
| 191 | A2 | Metal Pin 3x25 | | | | | |
| 192 | C | Quick Connector BODY | | | | | |
| 193 | 46110175 | OR 2125 | | | | | |
| 194 | 46201033 | Exhaust Diaphragm LP Inflator | | | | | |
| 195 | C | Steel Ball d3,2 | | | | | |
| 196 | 46201009 | Conical Spring | | | | | |
| 197 | 46201008 | Quick Connector Spring | | | | | |
| 198 | 46201007 | Retaining Ring | | | | | |

| CHART NO : 1 UP. 04/03/2020 | ACCESSORIES | NOTE |
|---|--|---|
| REGULATORS | | |
| 46200275 | REGULATOR RUBBER HOSE, SPECIAL LENGHT 3/8" | |
| 46200504 | REGULATOR RUBBER HOSE, SPECIAL LENGHT 1/2" | |
| 46201231 | LP HOSE 3/8" SFX WH/BK 65cm | |
| 46201232 | LP HOSE 3/8" SFX WH/BK 80cm | |
| 46200984 | REGULATOR HOSE SUPERFLEX 3/8" 210 CM | |
| 46200985 | REGULATOR HOSE SUPERFLEX 1/2" 210 CM | |
| 46200986 | REGULATOR HOSE SUPERFLEX 3/8" 210 CM YELLOW | |
| 46201396 | LP HOSE 1/2 NAVY 80CM WO/HOSE PROTECTOR | |
| 46201394 | LP HOSE RUBBER 3/8" WO/HOSE PROTECTOR 56CM | |
| SPARE PARTS OLD REGULATORS | | |
| 46201370 | Service kit 12S INT/DIN | |
| 46185323 | SERVICE KIT 1 ST.INT/DIN, R2/D2/S10 | |
| 46186151 | SERVICE KIT DIN FIRST ST 32/22/16 (previous DIN) | |
| 46200603 | SERVICE KIT DIN FIRST ST 42 | |
| 46200596 | SERVICE KIT INT FIRST ST 42 | |
| 46186165 | SERVICE KIT SECOND STAGE AKROS-XTR-EPOS | |
| 46200409 | SERVICE KIT SECOND STAGE PROTON SERIES | |
| 46200683 | HP SEAT V42 | |
| 46201046 | ADJ. PLUG FOR DPD CASE | |
| 46200764 | FIRST STAGE POPPET , MR 42T | |
| 46200761 | HP SEAT FIRST STAGE MR42 | |
| 46184225 | MEMBRANA MODULARE | ESAURITA DA ELIMINARE |
| 46185014 | SINTERED FILTER | |
| 46183053 | FILTRO D.9 MR22 DIN | |
| 46200663 | NITROX CONNECTOR 200 BAR (EN 13949) - VITON ORINGS | |
| 46200297 | SERVICE KIT PRESTIGE VITON | TILL STOCK END - IT WILL BE REPLACED BY NBR VERSION (46200296) |
| 46187223 | SERVICE KIT VITON O-RING MV | TILL STOCK END - IT WILL BE REPLACED BY NBR VERSION (46187222) |
| 46186164 | SERVICE KIT SECOND STAGE NIKOS/FURY/COMP/MINIC/ALT | |
| 46185022 | 12-12S-22 FIRST STAGE DIAPHRAGM | |
| 46200678 | SERVICE KIT MR 12 NITROX (EN 13949) | |
| 46201274 | NITROX CONNECTOR 12S (EN 13949) | |
| 46200671 | 42 FIRST STAGE DFC DISK | |
| 46185060 | RUBBER SEAT SECOND STAGE | |
| 46201386 | TRIMAT 2K18 UPGRADE KIT | |
| 46186205 | NUT,YOKE RETAINER FIRST STAGE MR22 | 22X 1ST STAGE |
| 46201134 | BODY, DIN CONNECTOR 300 BAR | 22X 1ST STAGE |
| 46200860 | PLUG, FIRST STAGE, MR22 | 22X 1ST STAGE |
| 46200553 | YOKE CONNECTOR FIRST STAGE | 22X 1ST STAGE |
| 46200926 | CWD DRY DIAPHRAGM | 22X 1ST STAGE |
| 46200950 | SPRING BASE PLATE CWD DRY | 22X 1ST STAGE |
| 46184511 | REGULATING NUT, FIRST STAGE | 22X 1ST STAGE |
| 46201395 | LP HOSE SFX BLACK 3/8" , 65 cm WO/HOSE PROTECTOR | INSTINCT 2ND STAGE |
| 46201159 | DEMAND LEVER, INSTINCT | INSTINCT 2ND STAGE |
| 46201203 | COVER FOR SECOND STAGE P. METAL | INSTINCT 2ND STAGE |
| 46201194 | EXHAUST VALVE,d. 33 | INSTINCT 2ND STAGE |
| 46201201 | EXHAUST TEE INSTINCT | INSTINCT 2ND STAGE |
| 46201138 | BUTTON SPRING | INSTINCT 2ND STAGE |
| 46201209 | BUTTON WHITE | INSTINCT 2ND STAGE |
| 46201208 | BUTTON YELLOW | INSTINCT 2ND STAGE |
| 46187004 | SCREW M2X5 | INSTINCT 2ND STAGE |
| 46201195 | COVER FRAME, CHROME | INSTINCT 2ND STAGE |
| 46201188 | PIN BUTTON/COVER | INSTINCT 2ND STAGE |
| 46201165 | SERVICE KIT SECOND STAGE INSTINCT | INSTINCT 2ND STAGE |
| 46110411 | OR 2025 VITON 010-9707 | TILL STOCK ENDS - IT WILL BE REPLACED BY NBR VERSION (46110205) |
| 46110423 | OR 4100 SH 90 VITON | TILL STOCK ENDS - IT WILL BE REPLACED BY NBR VERSION (46110216) |
| 46110404 | OR 108 VITON | TILL STOCK ENDS - IT WILL BE REPLACED BY NBR VERSION (46110108) |
| 46200525 | GRID COVER ASSY PROTON METAL 2nd STAGE | |
| 46200763 | BUSHING POPPET 1STG MR42 | |
| OUT OF STOCK - NOT AVAILABLE ANYMORE | | REPLACED BY |
| 46200964 | SERVICE KIT DIN FIRST STAGE 12 S | REPLACED BY 46201370 |
| 46201164 | SERVICE KIT MR52 INT-DIN | REPLACED BY 46201355 |
| 46201184 | SERVICE KIT FIRST STAGE 12S 2K11 INT | REPLACED BY 46201370 |
| 46186150 | KIT MAN. INT/DIN FIRSTST 12 LONG/D12/S30 | REPLACED BY 46201370 |
| 47159659 | MALE QUICK CONNECTOR | REPLACED BY CODE 47201214 |
| 47201193 | ERGO INFLATOR w/o HOSE 2k14 | REPLACED BY CODE 47201235 |